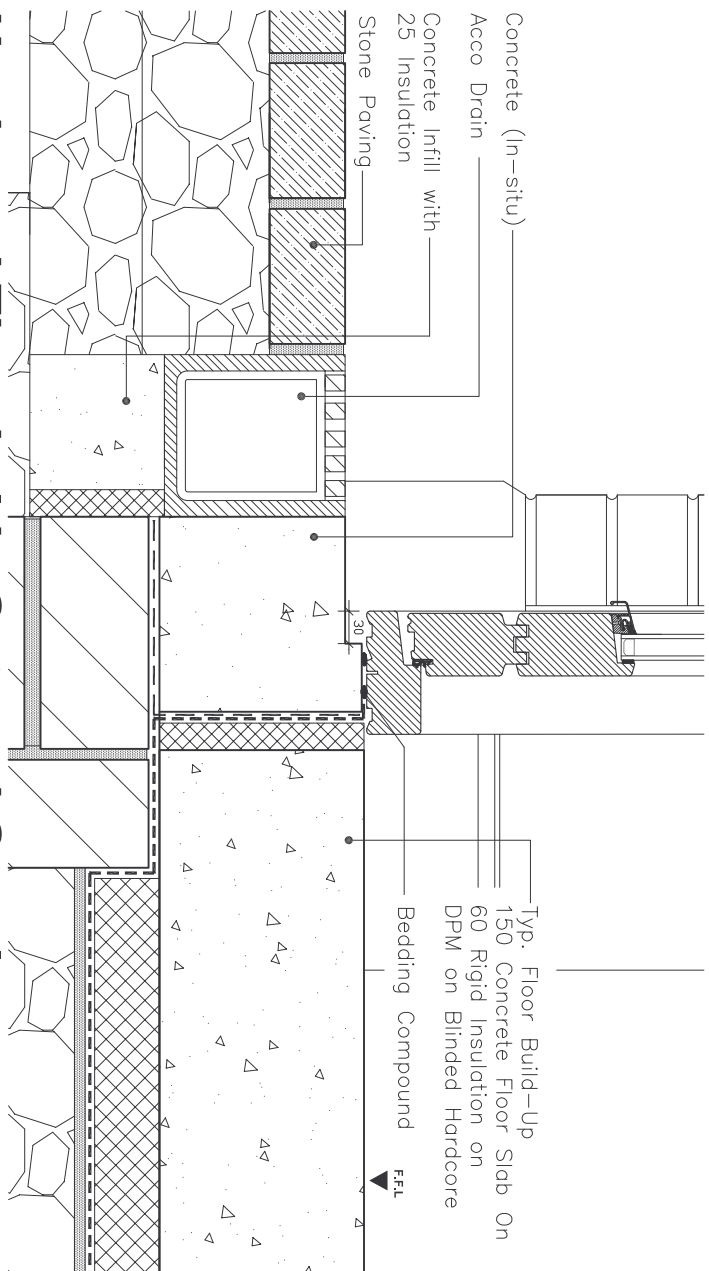
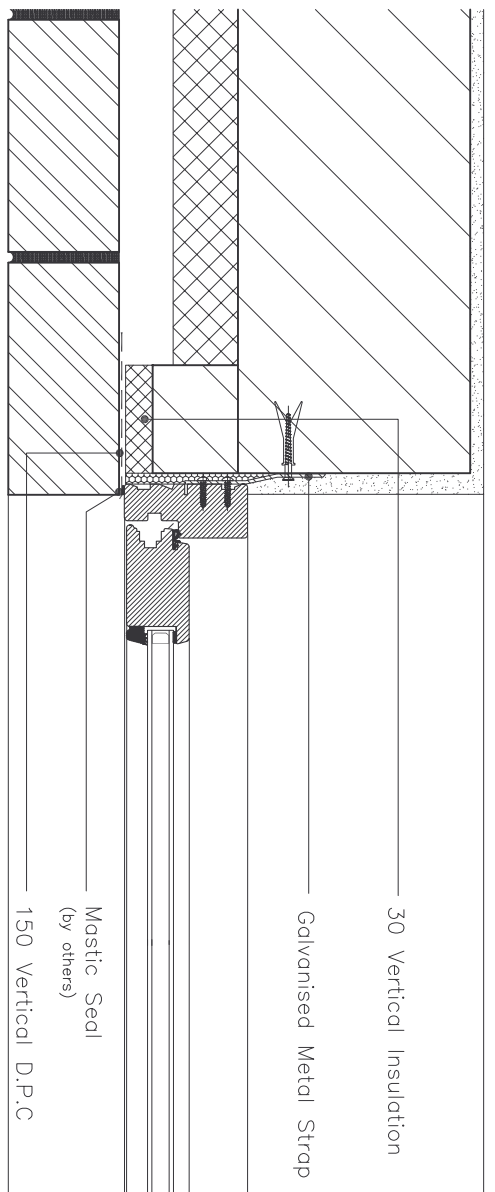


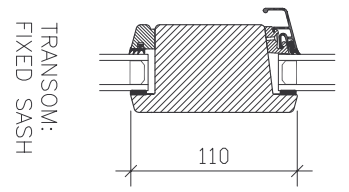
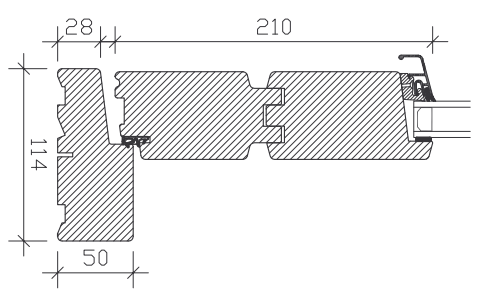
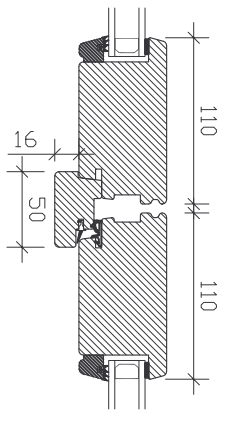
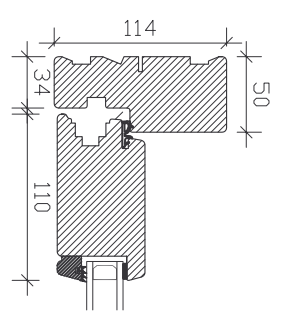
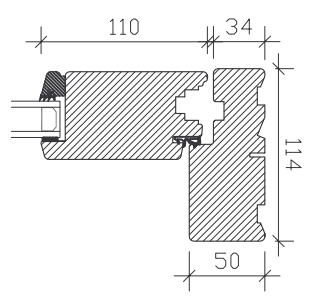
Head Detail



Hardwood Threshold : Outward Opening



Jamb Detail



Profile Sections



G1, Calmount Park, Ballymount, D12
 TEL: 00 353 1 482 5777 FAX: 00 353 1 482 5737
 WEB: www.carlson.ie E-MAIL: info@carlson.ie

DETAIL 121: CAVITY WALL BRICKWORK