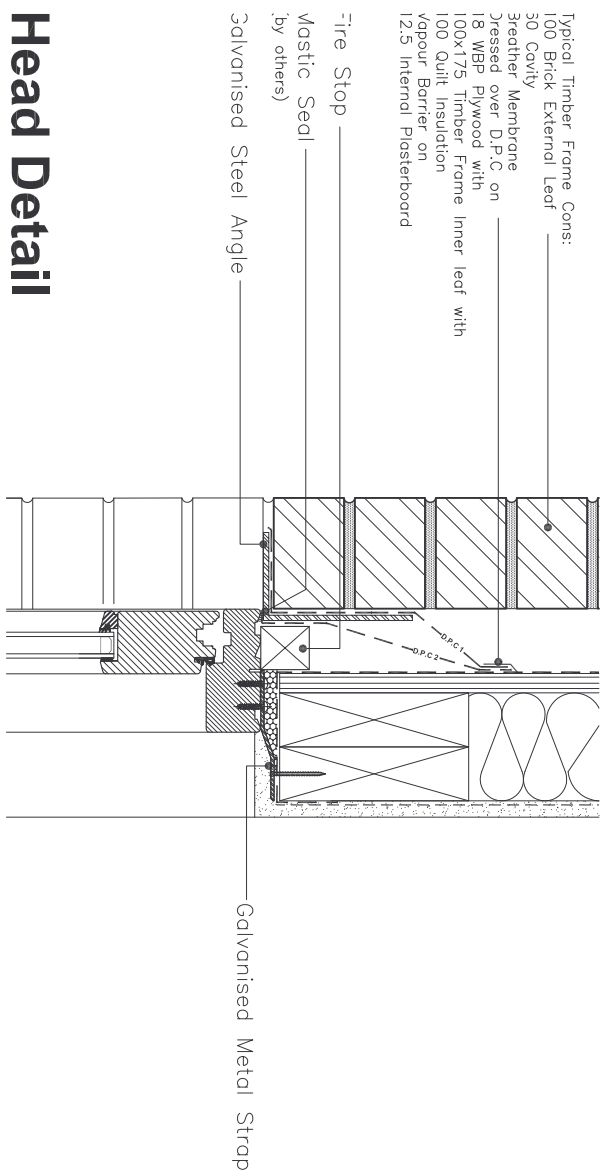
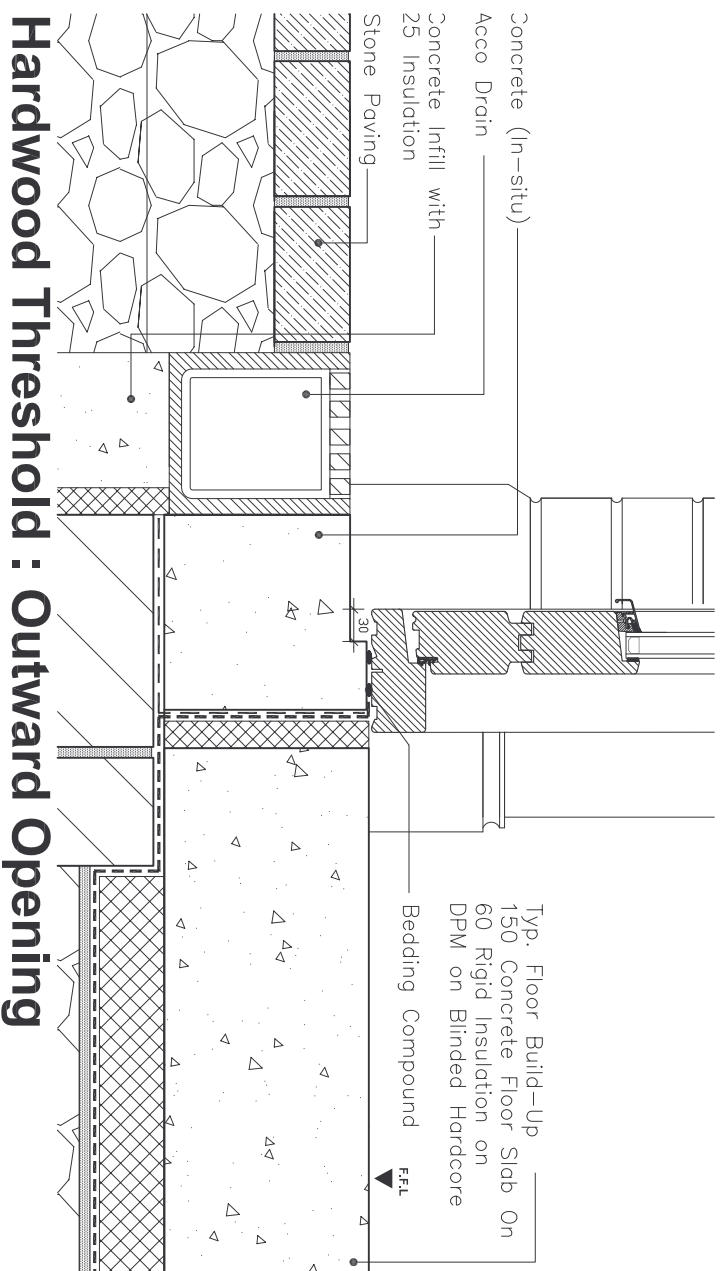


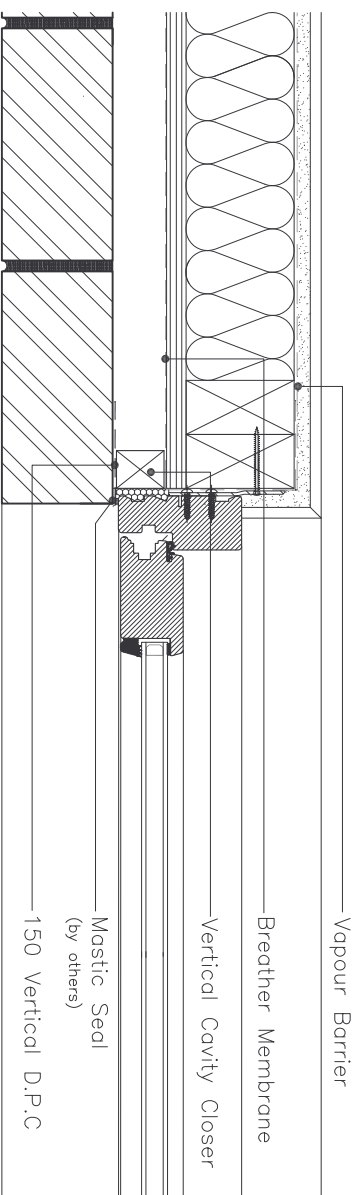
Typical Timber Frame Cons:
 100 Brick External Leaf
 30 Cavity
 Breather Membrane
 Pressed over D.P.C on
 18 MWP Plywood with
 100x175 Timber Frame Inner leaf with
 100 Quilt Insulation
 Vapour Barrier on
 12.5 Internal Plasterboard



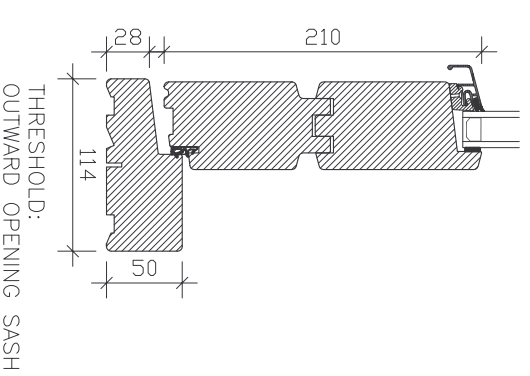
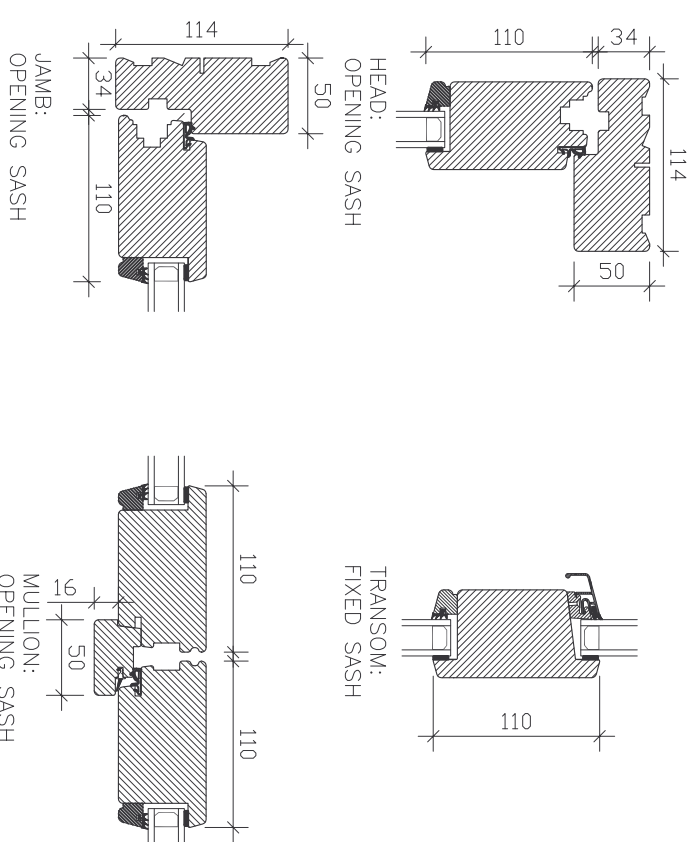
Head Detail



Hardwood Threshold : Outward Opening



Jamb Detail



Profile Sections



CARLSON

G1, Calmount Park, Ballymount, D12

TEL: 00 353 1 482 5777

FAX: 00 353 1 482 5737

WEB: www.carlson.ie

E-MAIL: info@carlson.ie

DETAIL 123: TIMBER FRAME BRICKWORK