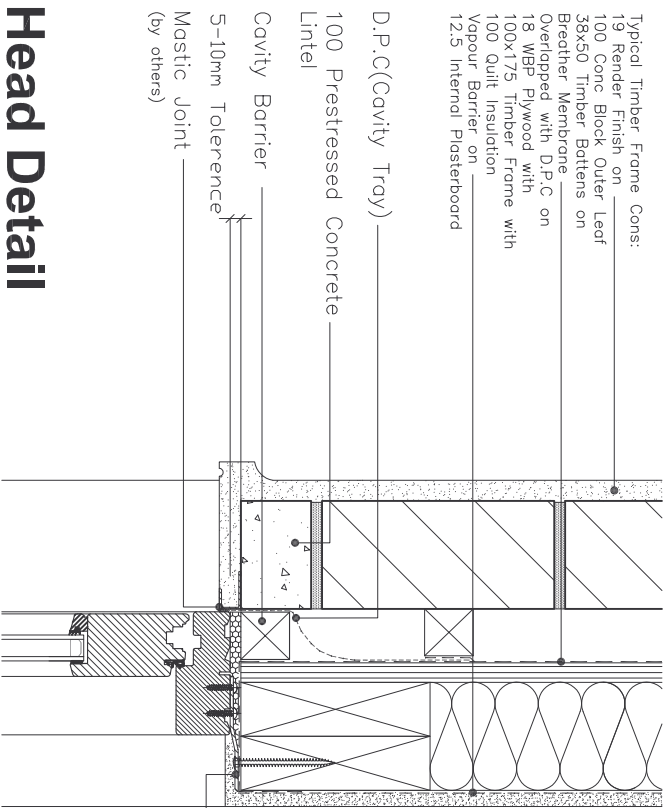
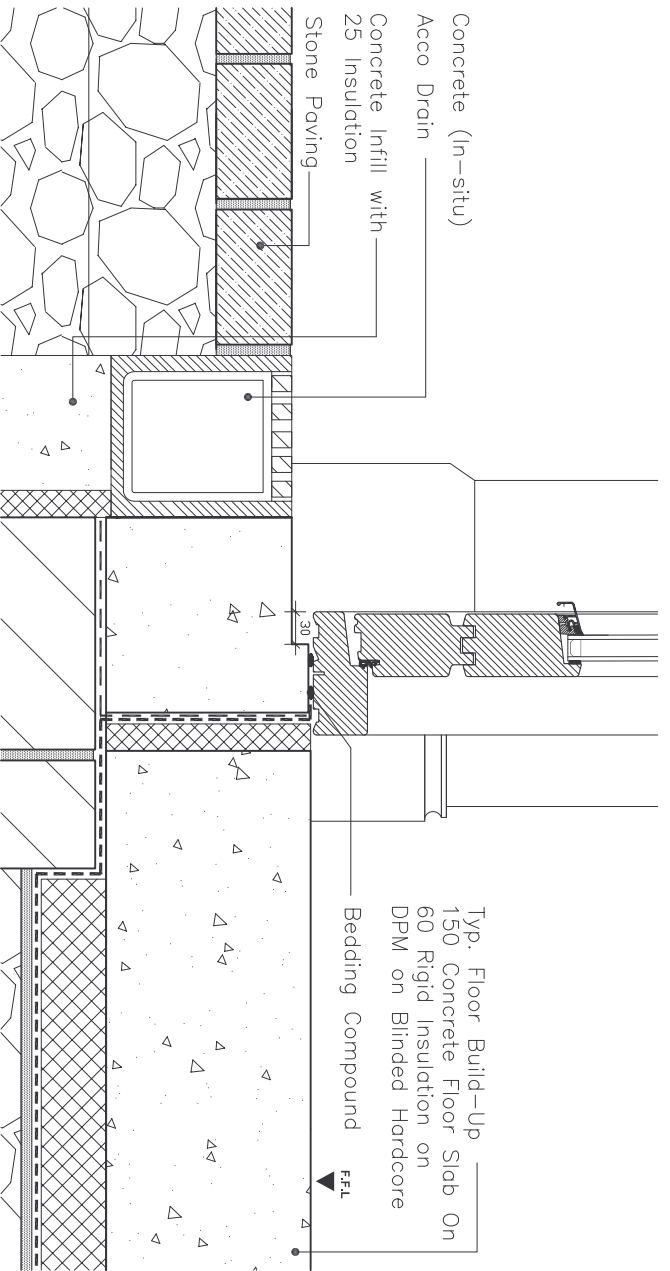


Typical Timber Frame Cons:  
 19 Render Finish on  
 100 Conc Block Outer Leaf  
 38x50 Timber Battens on  
 Breather Membrane  
 Overlapped with D.P.C on  
 18 WBP Plywood with  
 100x175 Timber Frame with  
 100 Quilt Insulation  
 Vapour Barrier on  
 12.5 Internal Plasterboard

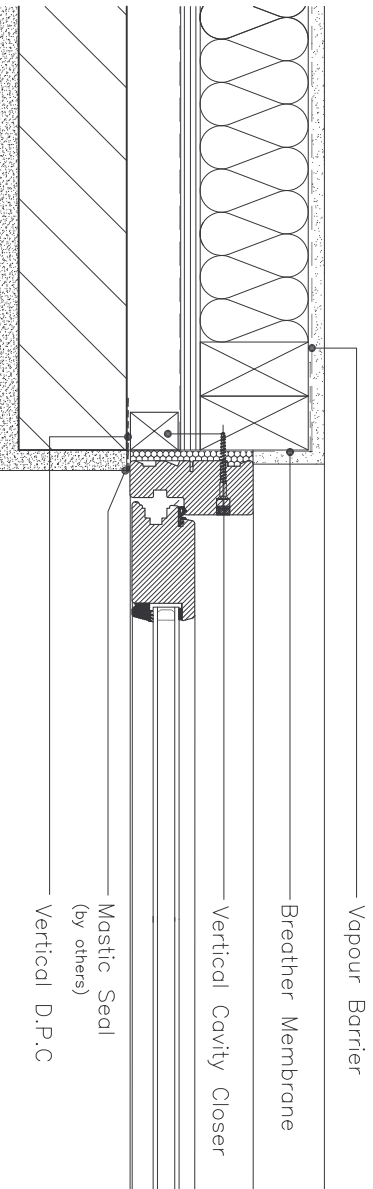
D.P.C.(Cavity Tray)  
 100 Prestressed Concrete  
 Lintel  
 Cavity Barrier  
 5-10mm Tolerance  
 Mastic Joint  
 (by others)  
 Galvanised Metal Strap



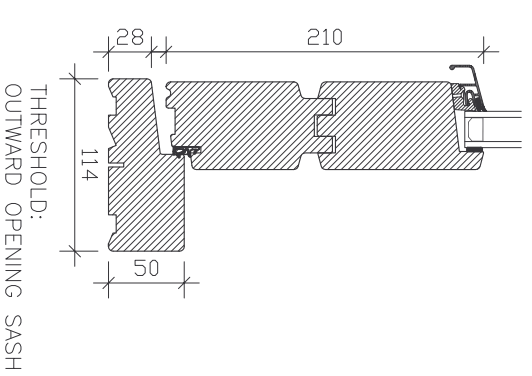
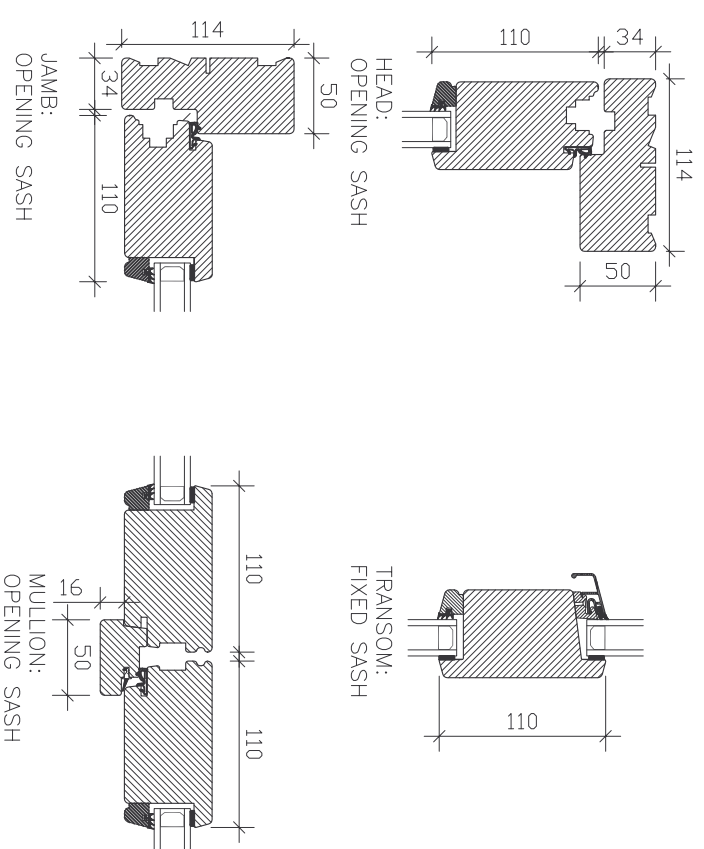
## Head Detail



## Hardwood Threshold : Outward Opening



## Jamb Detail



## Profile Sections



**CARLSON**

G1, Calmount Park, Ballymount, D12  
 TEL: 00 353 1 482 5777 FAX: 00 353 1 482 5737  
 WEB: www.carlson.ie EMAIL: info@carlson.ie

DETAIL 124: TIMBER FRAME RENDER