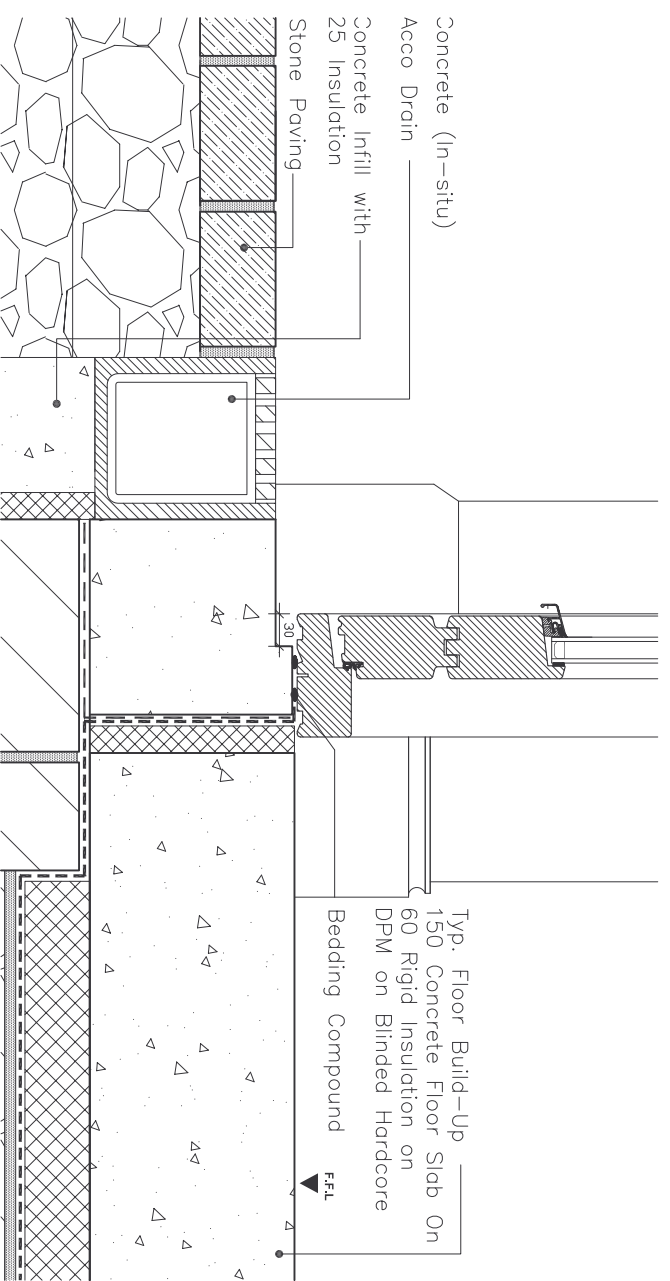
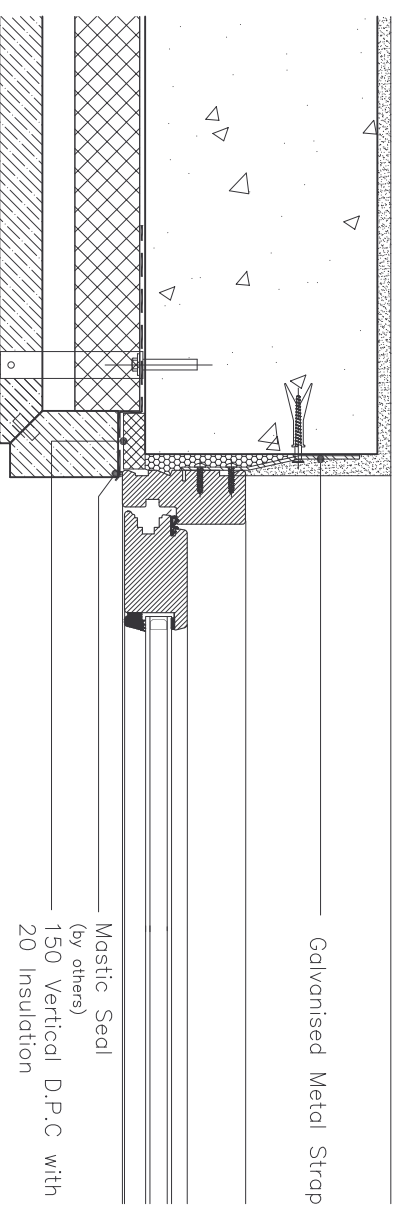


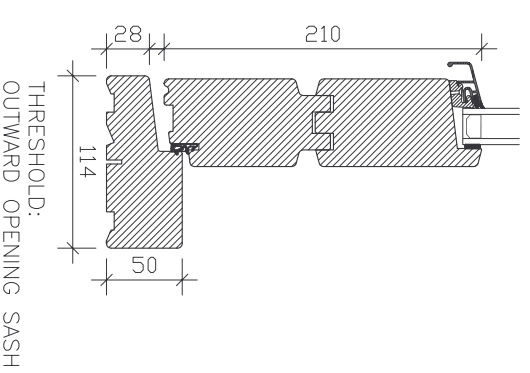
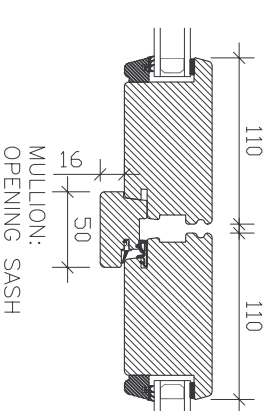
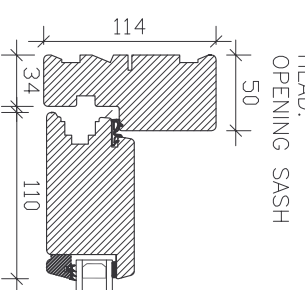
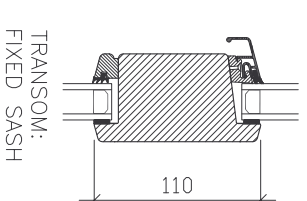
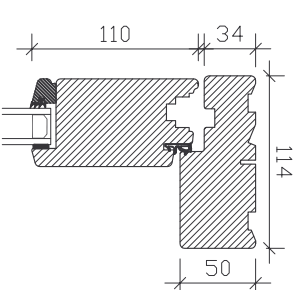
## Head Detail



## Hardwood Threshold : Outward Opening



## Jamb Detail



## Profile Sections



**CARLSON**

G1, Calmount Park, Ballymount, D12  
TEL: 00 353 1 482 5777 FAX: 00 353 1 482 5737  
WEB: www.carlson.ie EMAIL: info@carlson.ie

DETAIL 125: STONE CLADDING