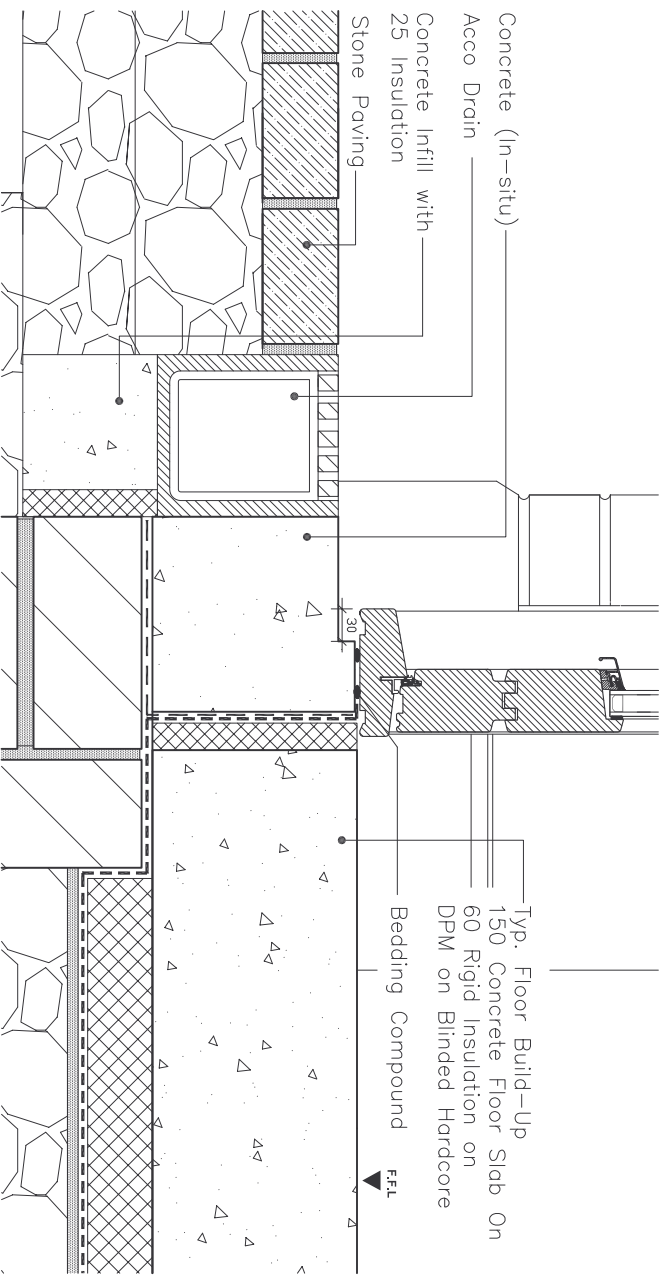
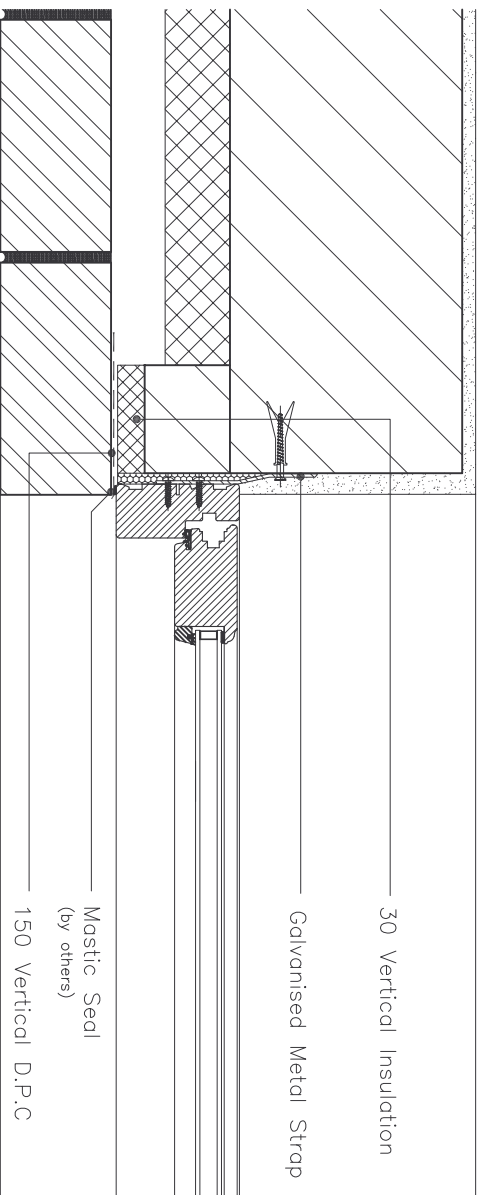


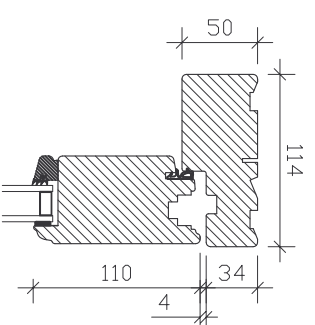
## Head Detail



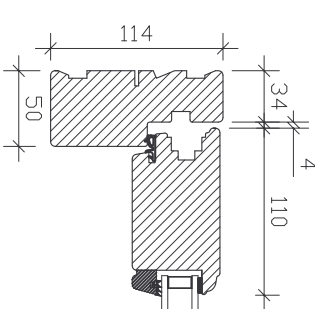
## Hardwood Threshold : Inward Opening



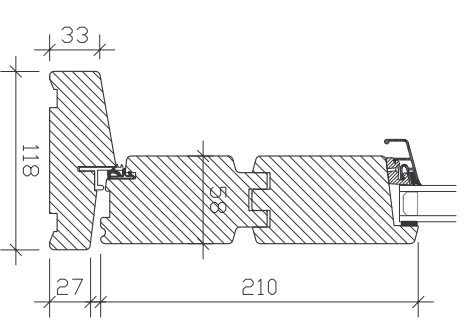
## Jamb Detail



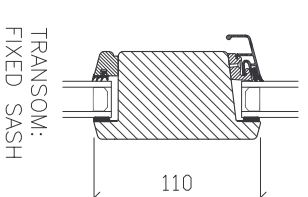
HEAD:  
OPENING SASH



CILL:  
OPENING SASH



THRESHOLD:  
INWARD OPENING SASH



TRANSOM:  
FIXED SASH

## Profile Sections



**CARLSON**

G1, Calmount Park, Ballymount, D12  
 TEL: 00 353 1 482 5777 FAX: 00 353 1 482 5737  
 WEB: www.carlson.ie EMAIL: info@carlson.ie

DETAIL 131: CAVITY WALL BRICKWORK