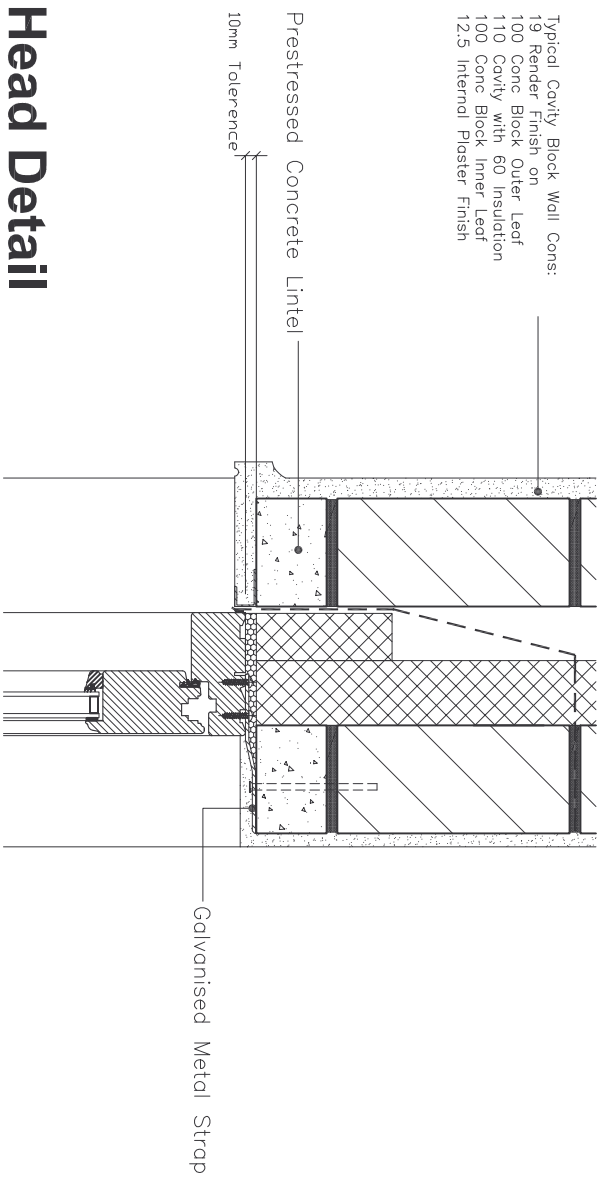
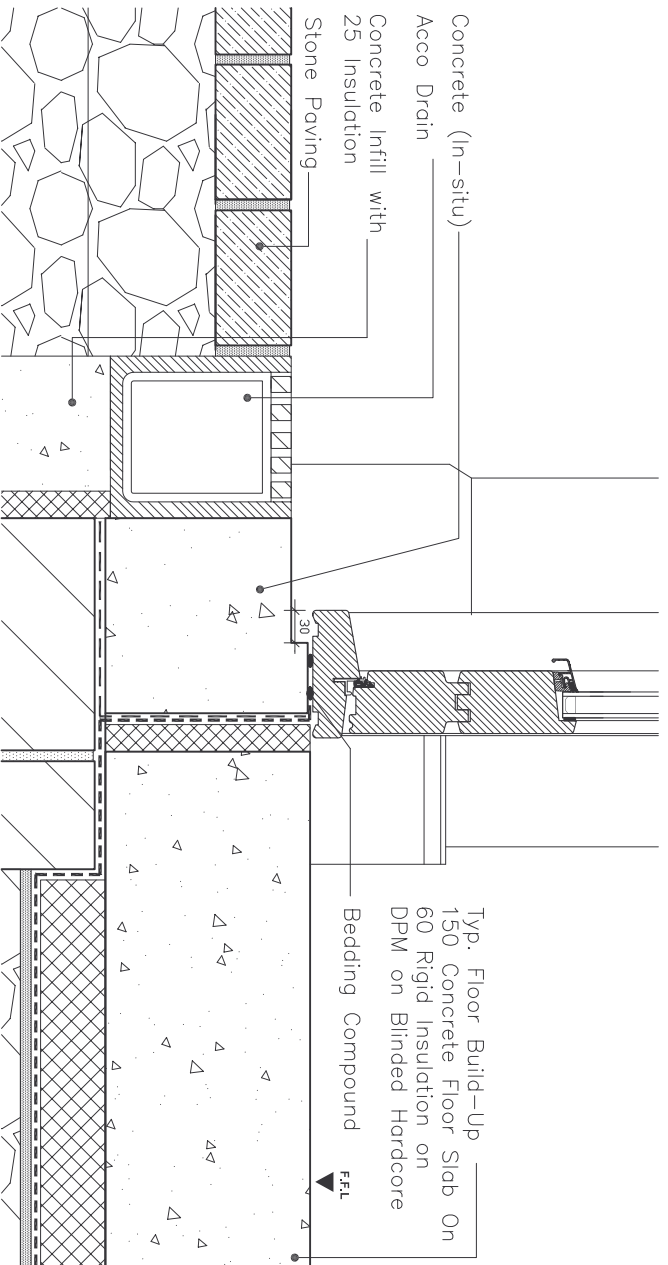


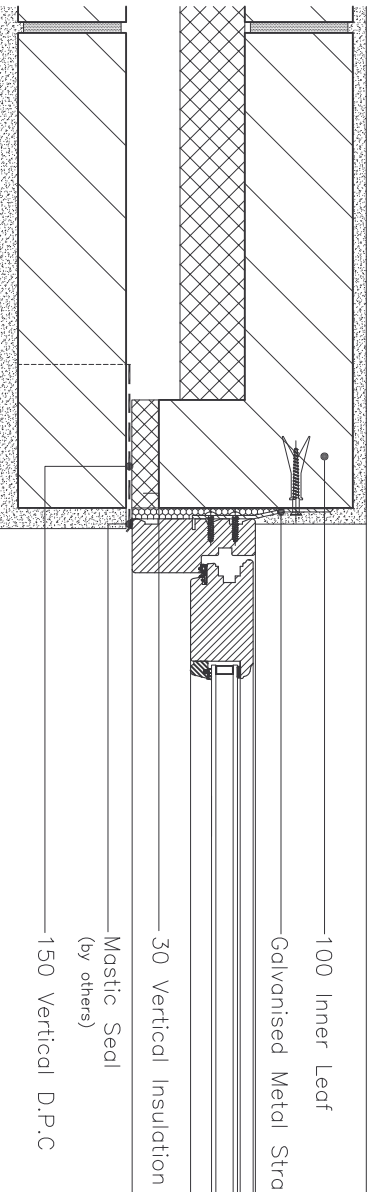
Typical Cavity Block Wall Cons:
 19 Render Finish on
 100 Conc Block Outer Leaf
 110 Cavity with 60 Insulation
 100 Conc Block Inner Leaf
 12.5 Internal Plaster Finish



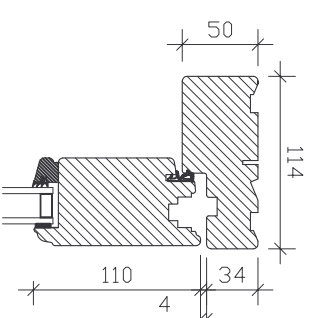
Head Detail



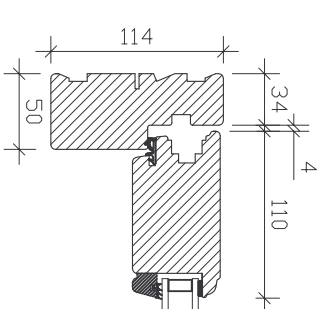
Hardwood Threshold : Inward Opening



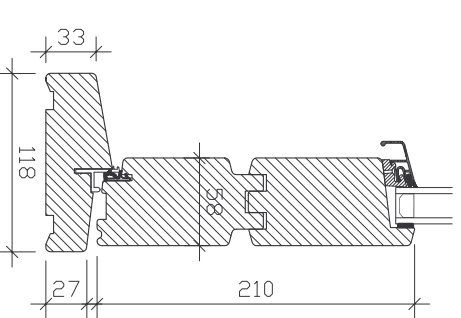
Jamb Detail



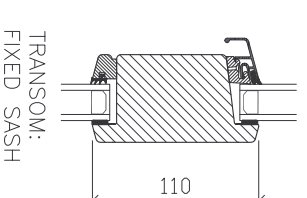
HEAD:
OPENING SASH



Cill:
OPENING SASH



THRESHOLD:
INWARD OPENING SASH



TRANSOM:
FIXED SASH

Profile Sections



CARLSON

G1, Calmount Park, Ballymount, D12

TEL: 00 353 1 482 5777

FAX: 00 353 1 482 5737

WEB: www.carlson.ie

E-MAIL: info@carlson.ie

DETAIL 132: CAVITY WALL RENDER