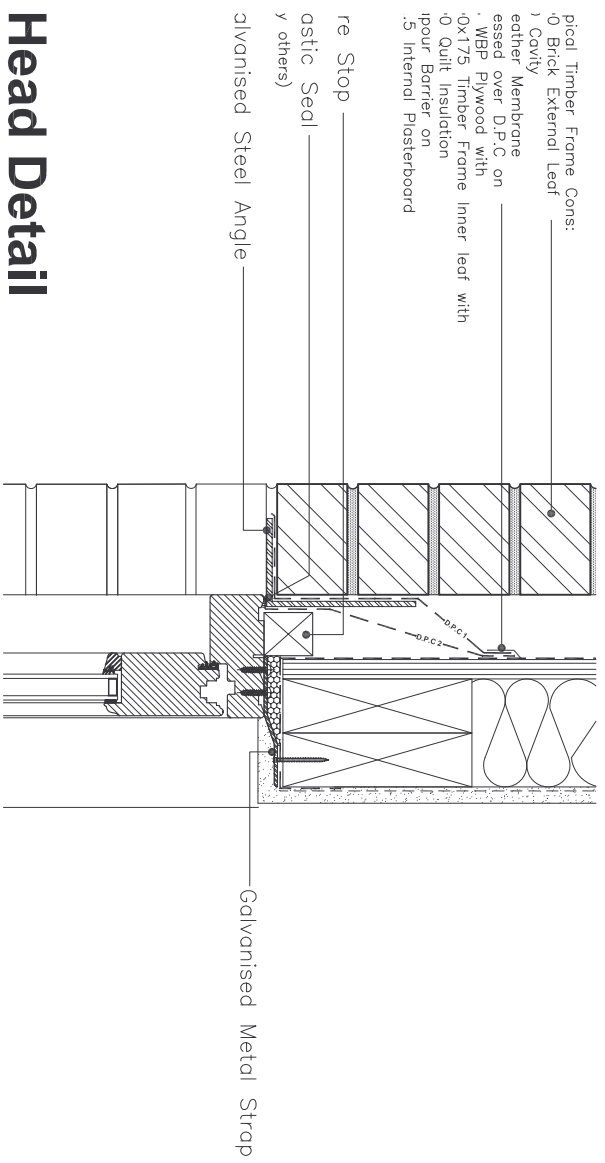
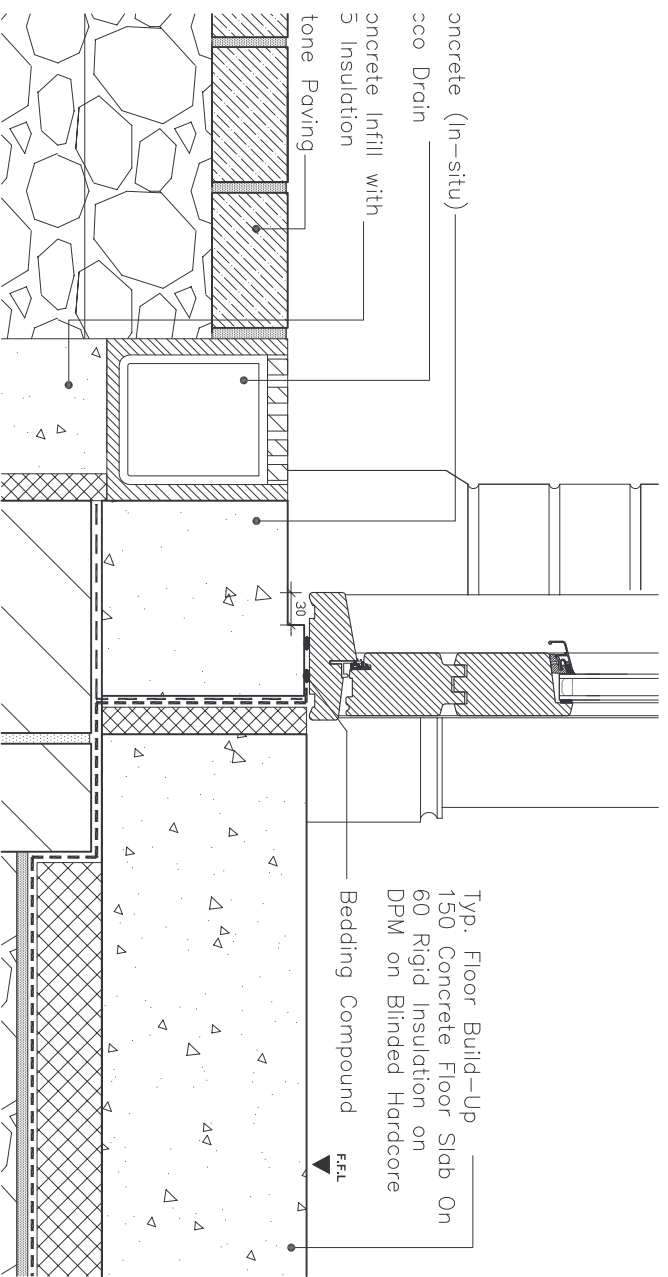


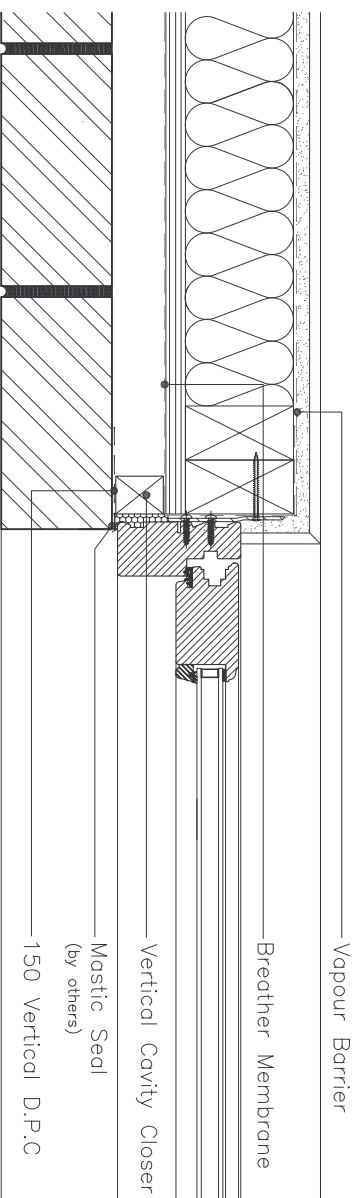
- Typical Timber Frame Cons:
- 10 Brick External Leaf
 - 1 Cavity
 - Weather Membrane
 - Applied over D.P.C on
 - 18mm WBP Plywood with
 - 10x175 Timber Frame Inner leaf with
 - 10 Quilt Insulation
 - 10 Vapour Barrier on
 - 15 Internal Plasterboard



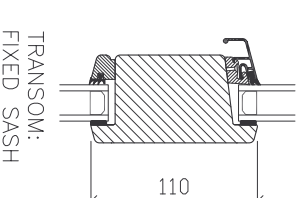
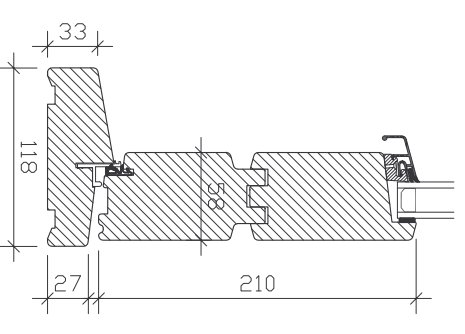
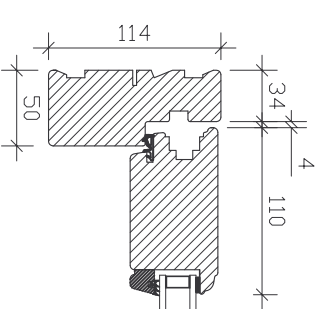
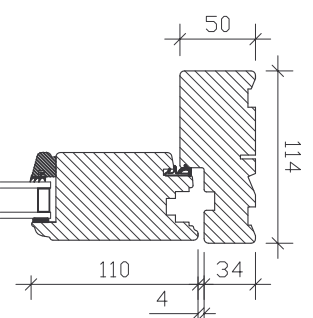
Head Detail



Hardwood Threshold : Inward Opening



Jamb Detail



Profile Sections



CARLSON

G1, Calmount Park, Ballymount, D12
 TEL: 00 353 1 482 5777 FAX: 00 353 1 482 5732
 WEB: www.carlson.ie EMAIL: info@carlson.ie

DETAIL 133: TIMBER FRAME BRICKWORK