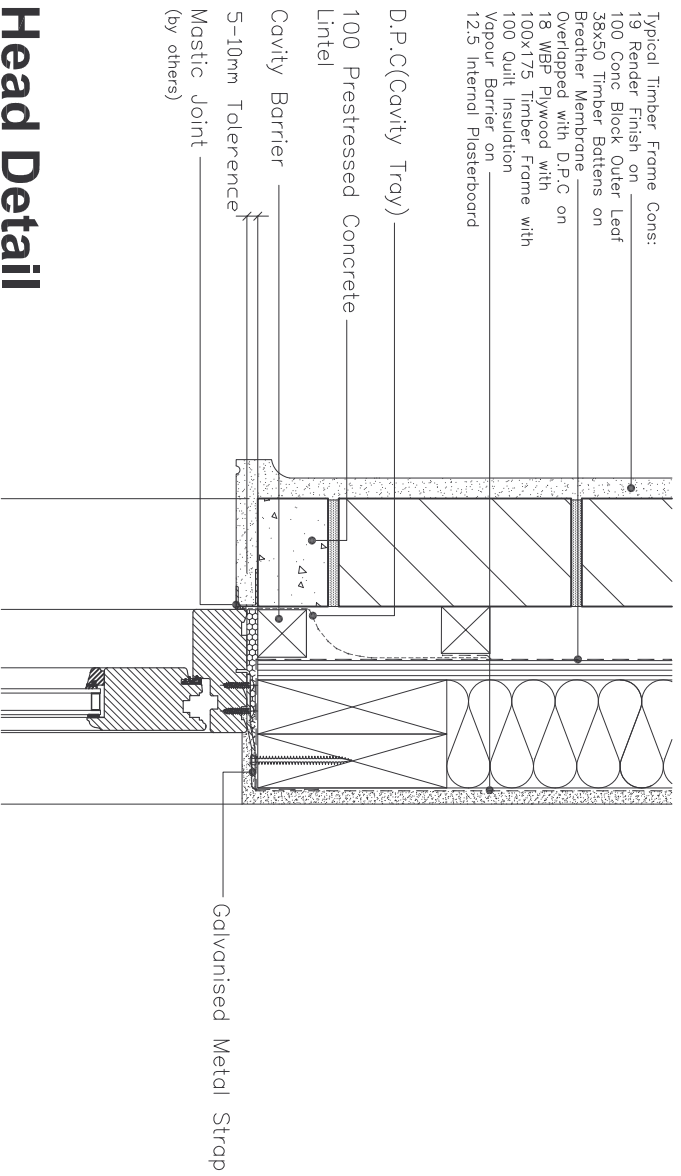


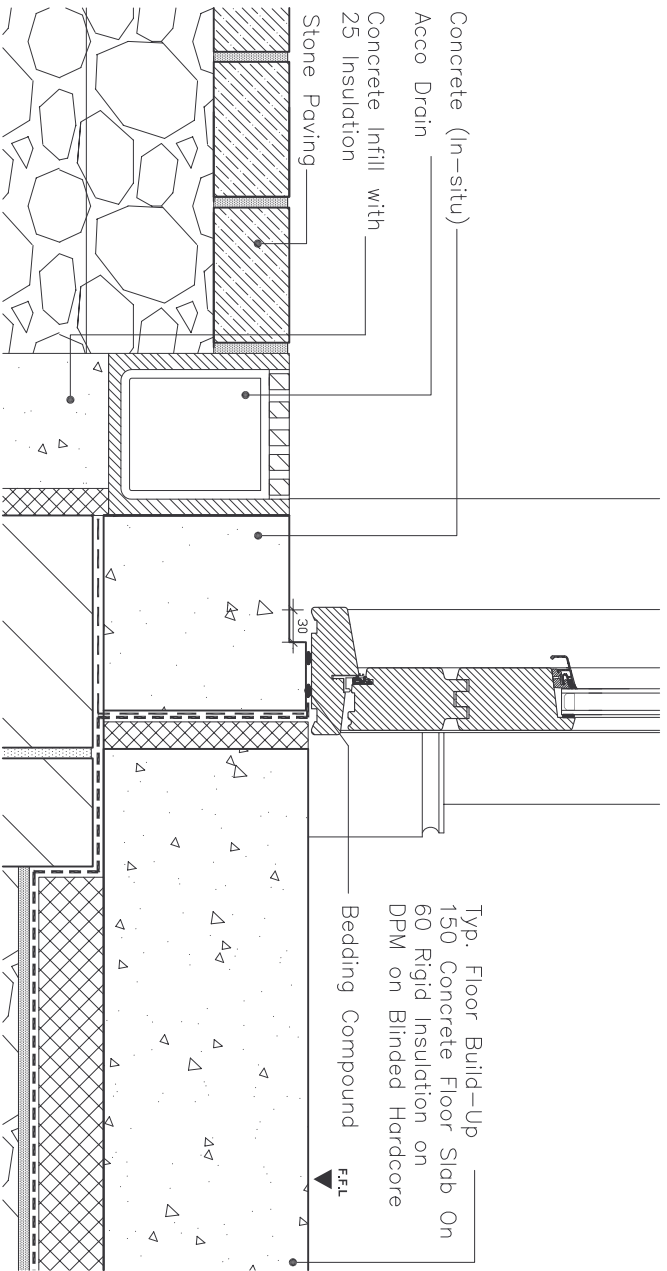
Typical Timber Frame Cons:
 19 Render Finish on
 100 Cornc Block Outer Leaf
 36x50 Timber Battens on
 Breather Membrane
 Overlapped with D.P.C on
 18 WBP Plywood with
 100x175 Timber Frame with
 100 Quilt Insulation
 Vapour Barrier on
 12.5 Internal Plasterboard

D.P.C(Cavity Tray) _____
 100 Prestressed Concrete Lintel _____
 Cavity Barrier _____
 5-10mm Tolerance _____
 Mastic Joint _____
 (by others)



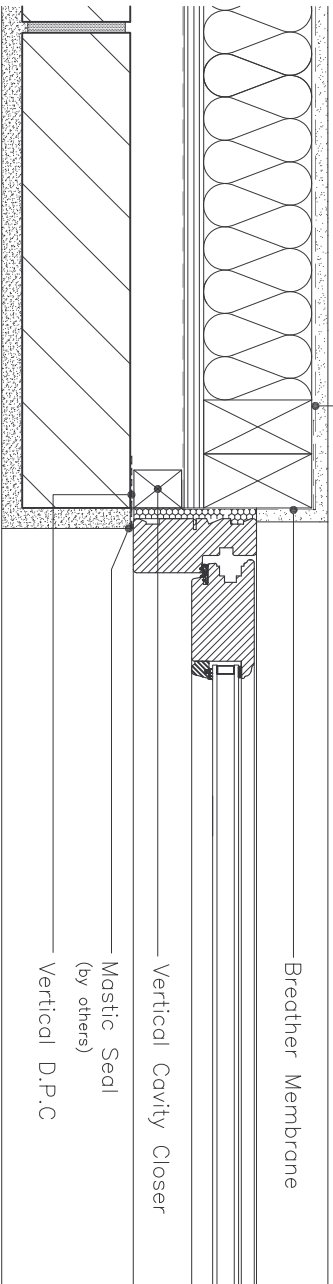
Head Detail

Concrete (In-situ) _____
 Acco Drain _____
 Concrete Infill with 25 Insulation _____
 Stone Paving _____

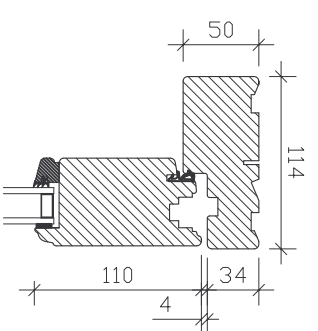


Hardwood Threshold : Inward Opening

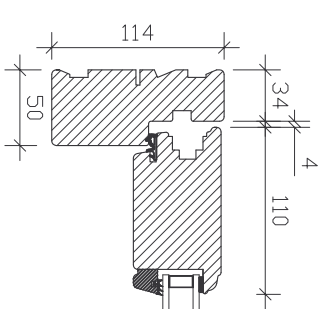
Typ. Floor Build-Up
 150 Concrete Floor Slab On
 60 Rigid Insulation on
 DPM on Blinded Hardcore _____
 Bedding Compound _____
 Vapour Barrier _____
 Breather Membrane _____
 Vertical Cavity Closer _____
 Mastic Seal (by others) _____
 Vertical D.P.C _____



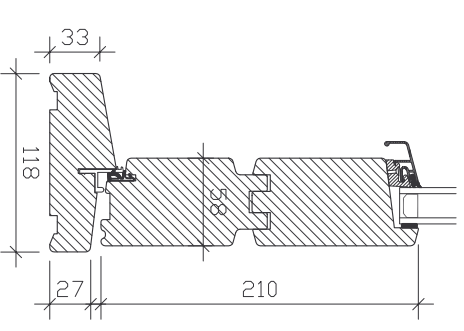
Jamb Detail



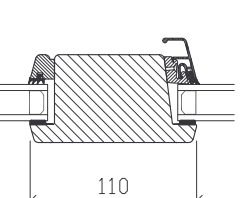
HEAD:
OPENING SASH



Cill:
OPENING SASH



THRESHOLD:
INWARD OPENING SASH



TRANSOM:
FIXED SASH

Profile Sections



CARLSON

G1, Calmount Park, Ballymount, D12

TEL: 00 353 1 482 5777

FAX: 00 353 1 482 5732

WEB: www.carlson.ie

E-MAIL: info@carlson.ie

DETAIL 134: TIMBER FRAME RENDER