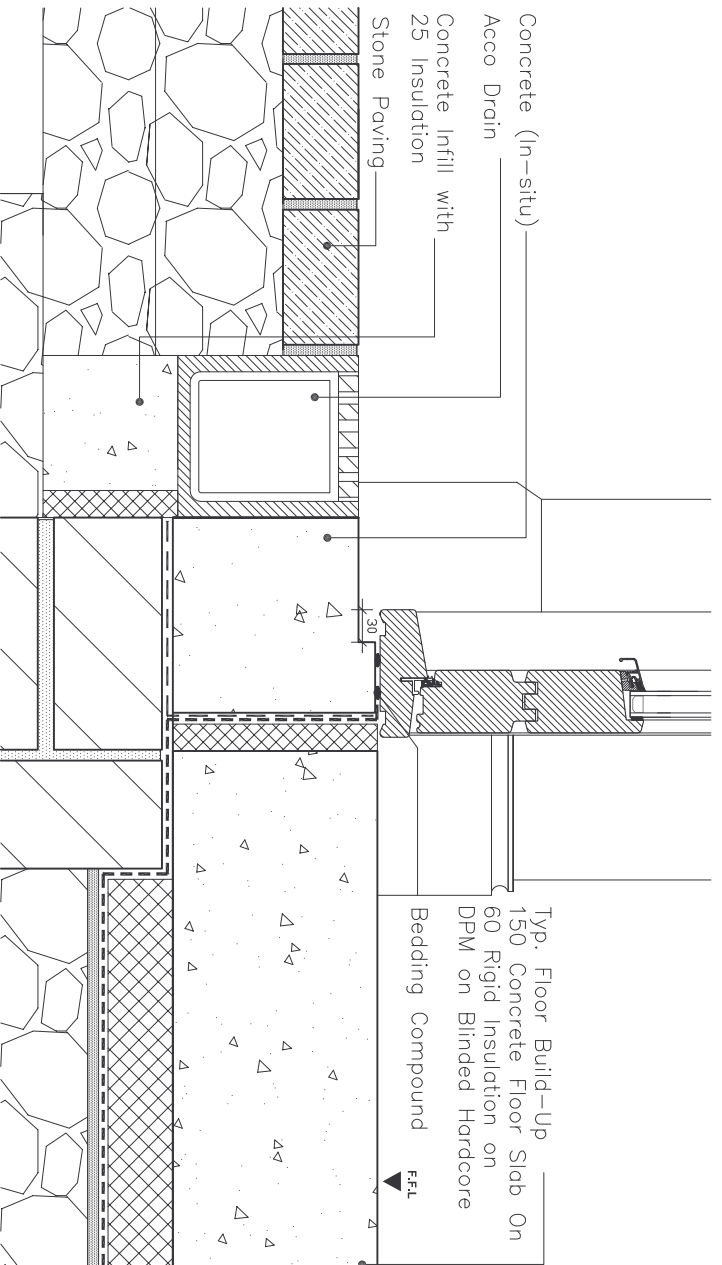
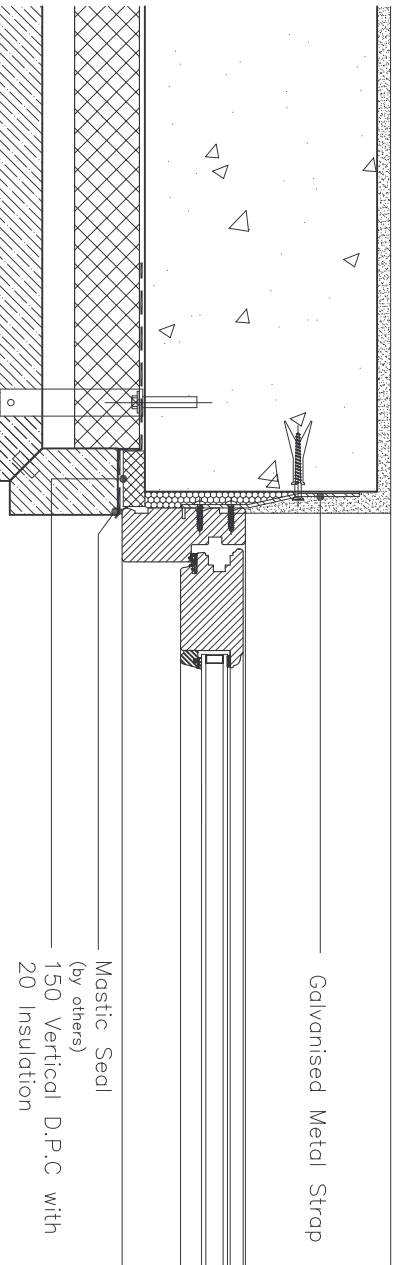


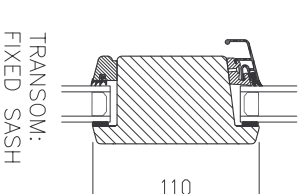
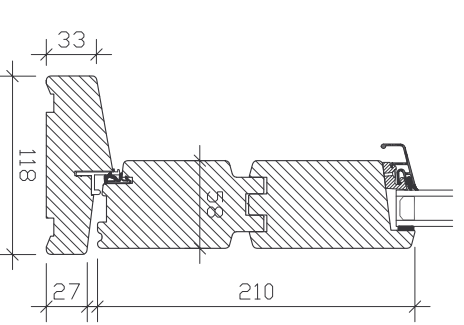
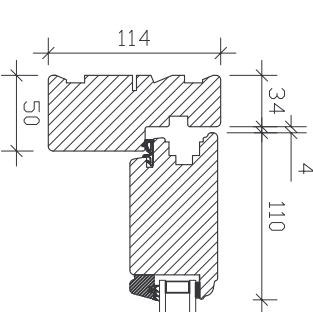
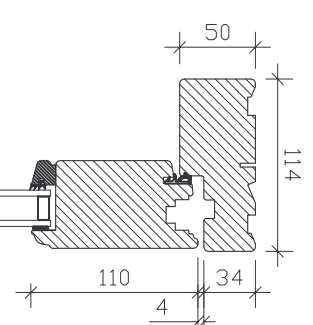
Head Detail



Hardwood Threshold : Inward Opening



Jamb Detail



Profile Sections



G1, Calmount Park, Ballymount, D12
TEL: 00 353 1 482 5777
WEB: www.carlson.ie
FAX: 00 353 1 482 5727
EMAIL: info@carlson.ie

DETAIL 135: STONE CLADDING