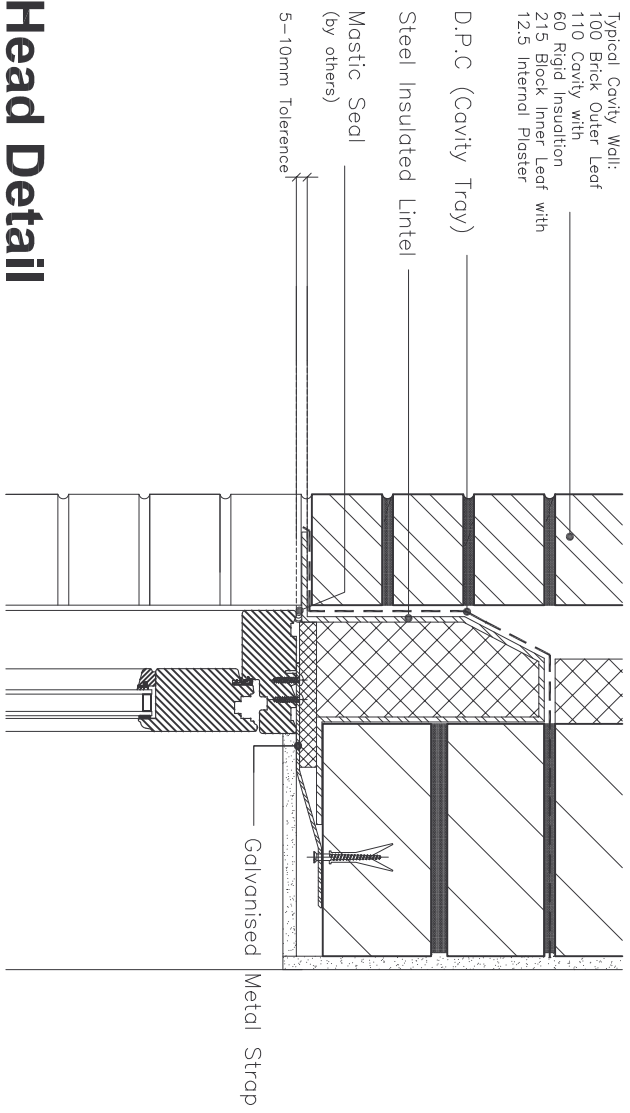
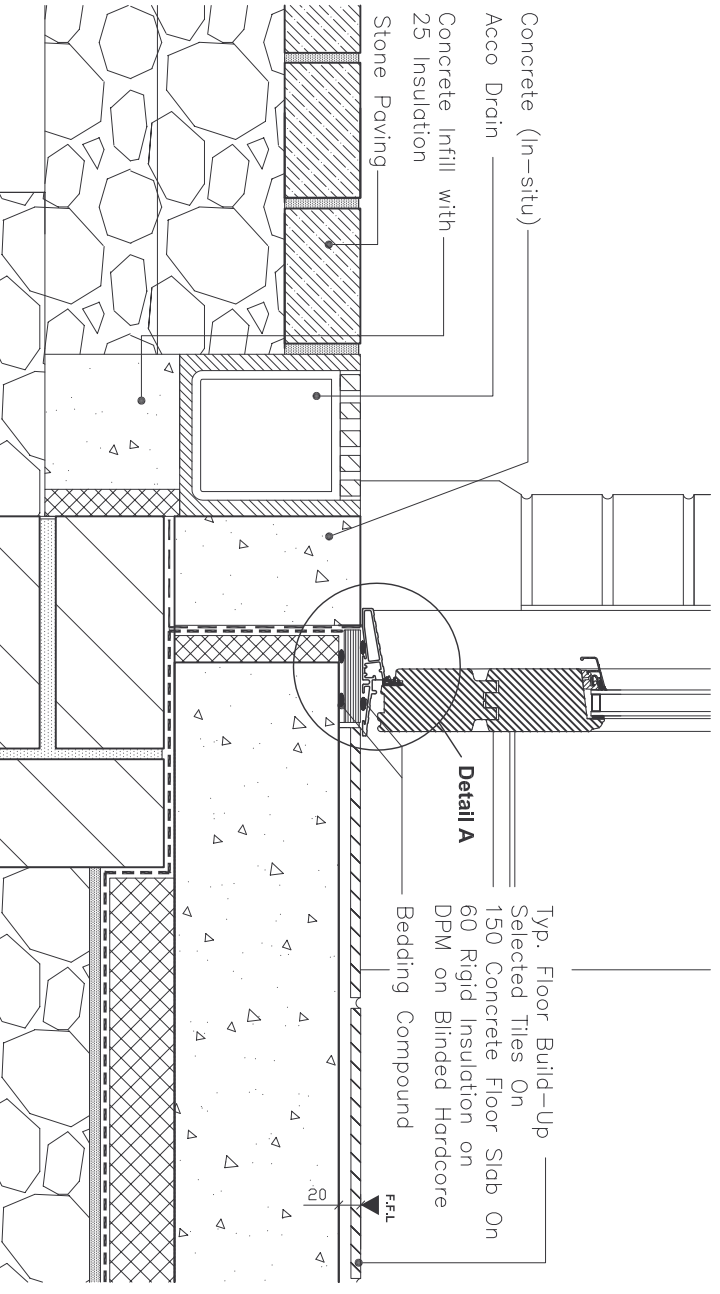


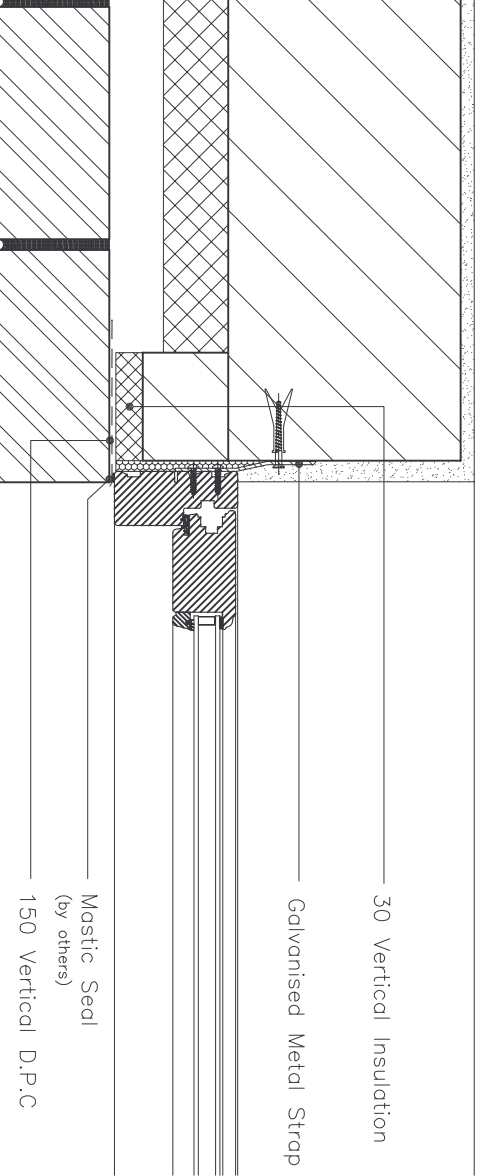
Typical Cavity Wall:  
 100 Brick Outer Leaf  
 110 Cavity with  
 60 Rigid Insulation  
 215 Block Inner Leaf  
 12.5 Internal Plaster



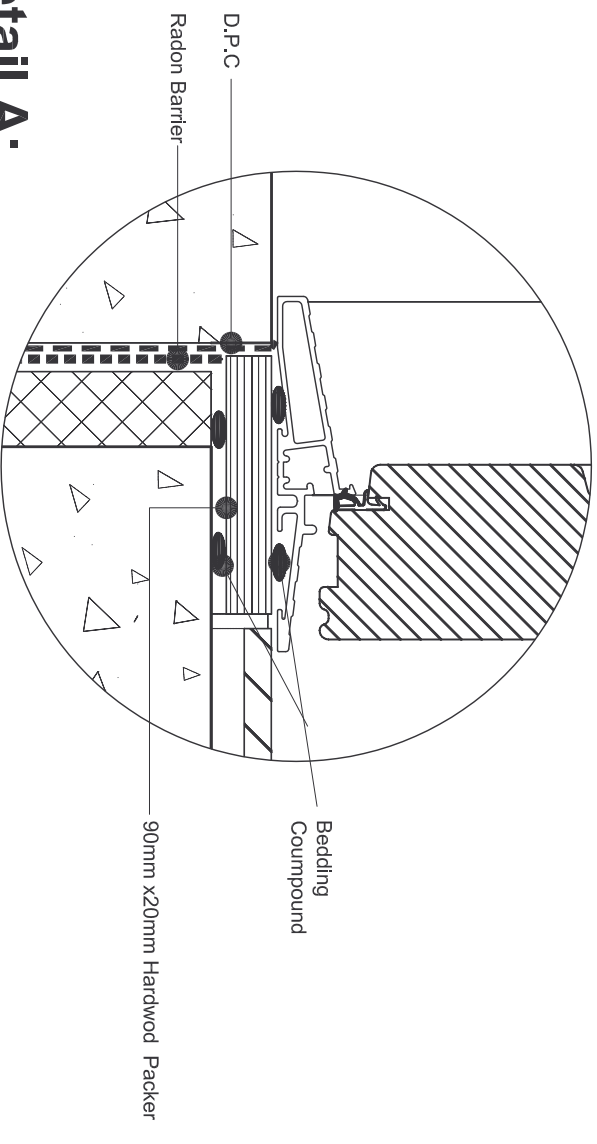
## Head Detail



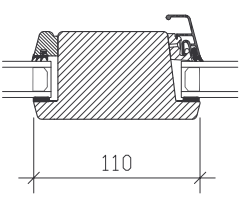
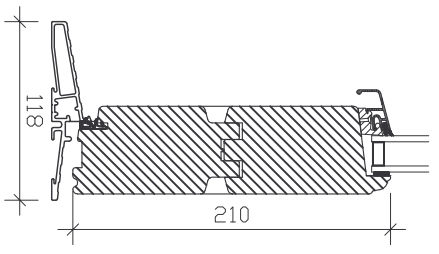
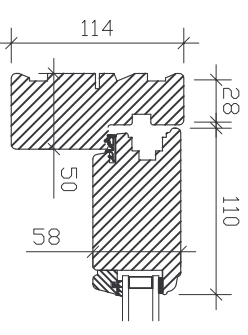
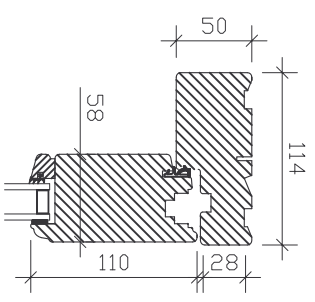
## Low Level Alu. Threshold : Inward Opening



## Jamb Detail



## Detail A:



## Profile Sections



G1, Calmount Park, Ballymount, D12  
 TEL: 00 353 1 462 5777 FAX: 00 353 1 462 5737  
 WEB: www.carlson.ie EMAIL: info@carlson.ie

DETAIL 141: CAVITY WALL BRICKWORK