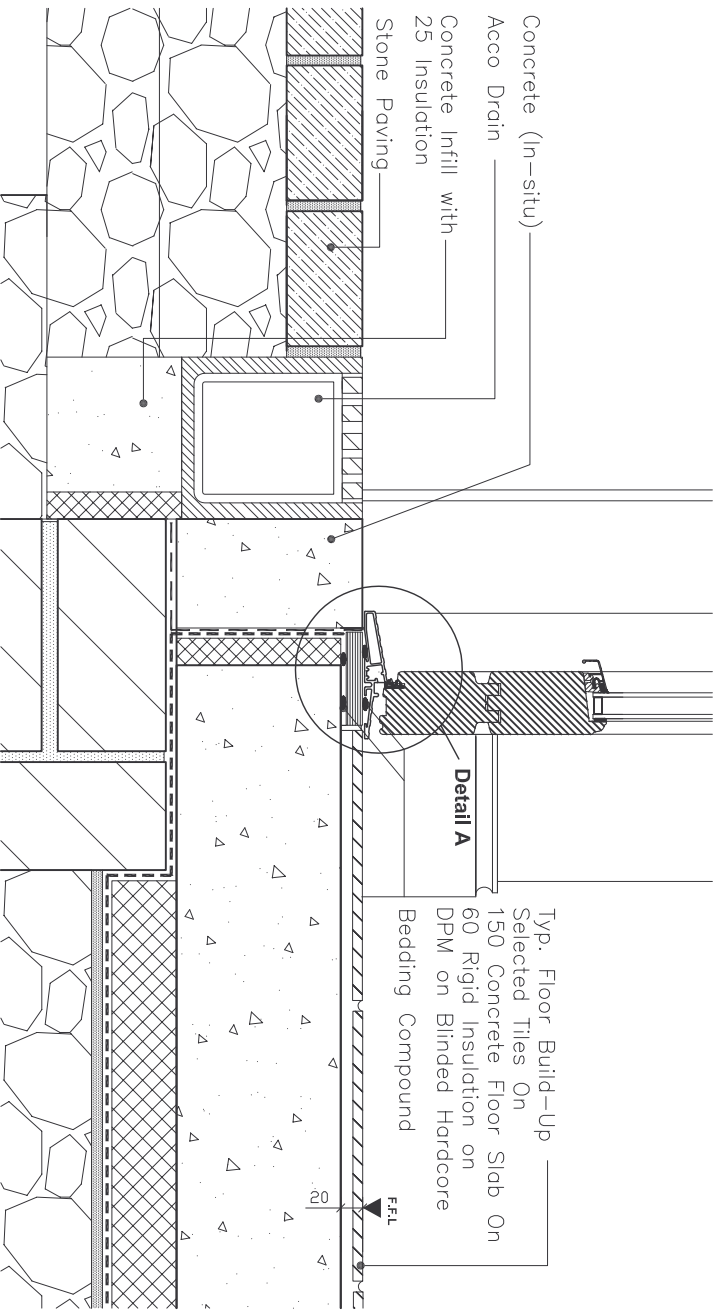
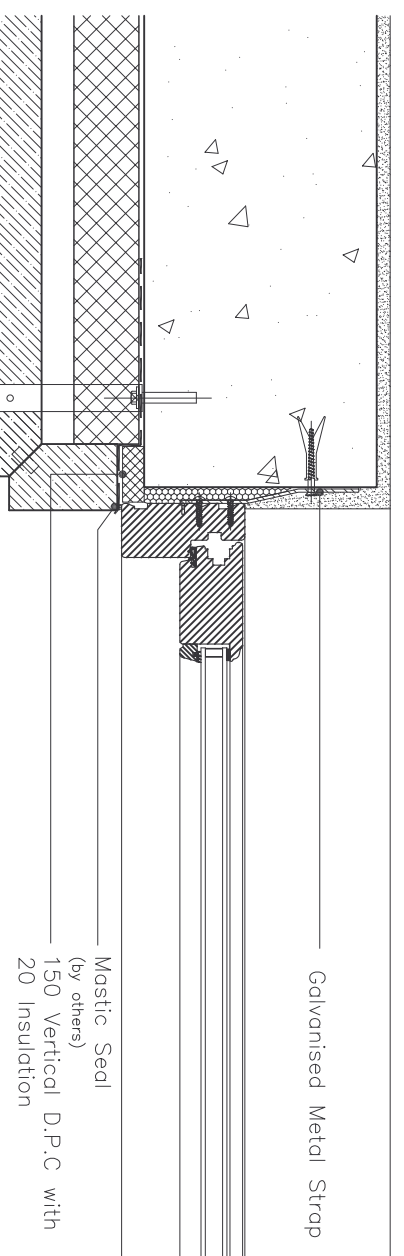


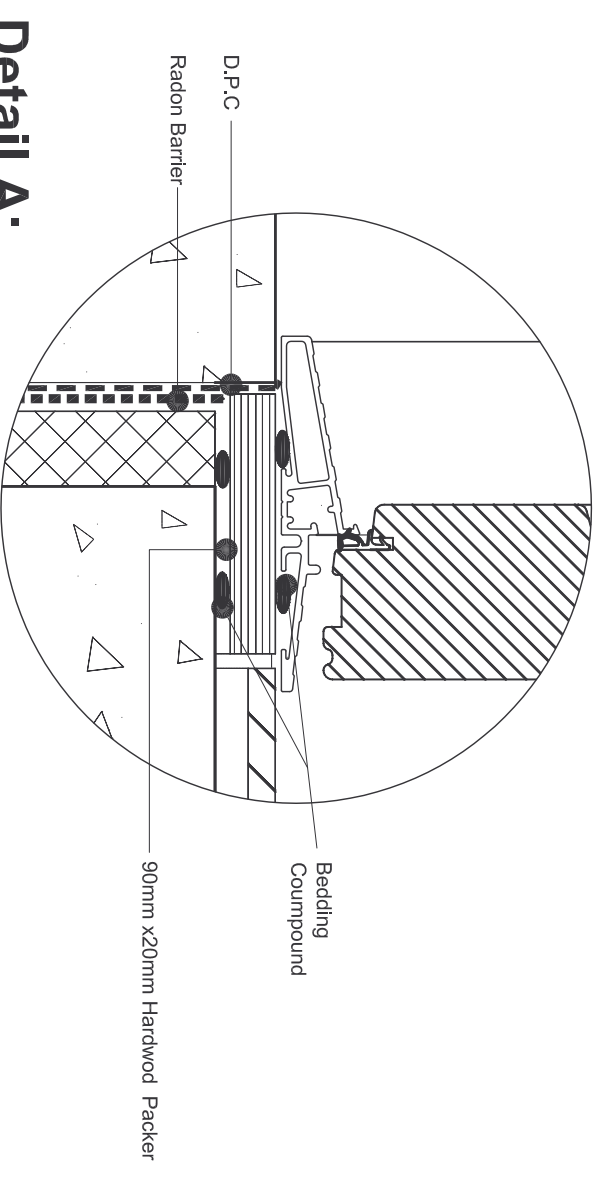
Head Detail



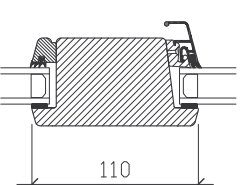
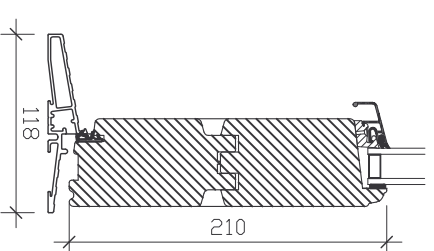
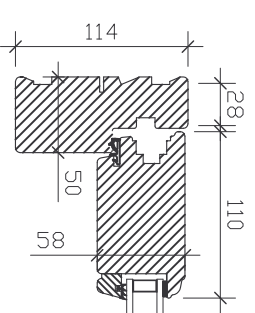
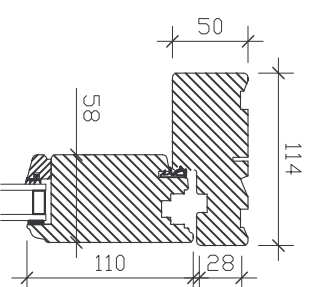
Low Level Alu. Threshold: Inward Opening



Jamb Detail



Detail A:



Profile Sections



CARLSON

G1, Calmount Park, Ballymount, D12
TEL: 00 353 1 462 5777 FAX: 00 353 1 462 5737
WEB: www.carlson.ie EMAIL: info@carlson.ie

DETAIL 145: STONE CLADDING