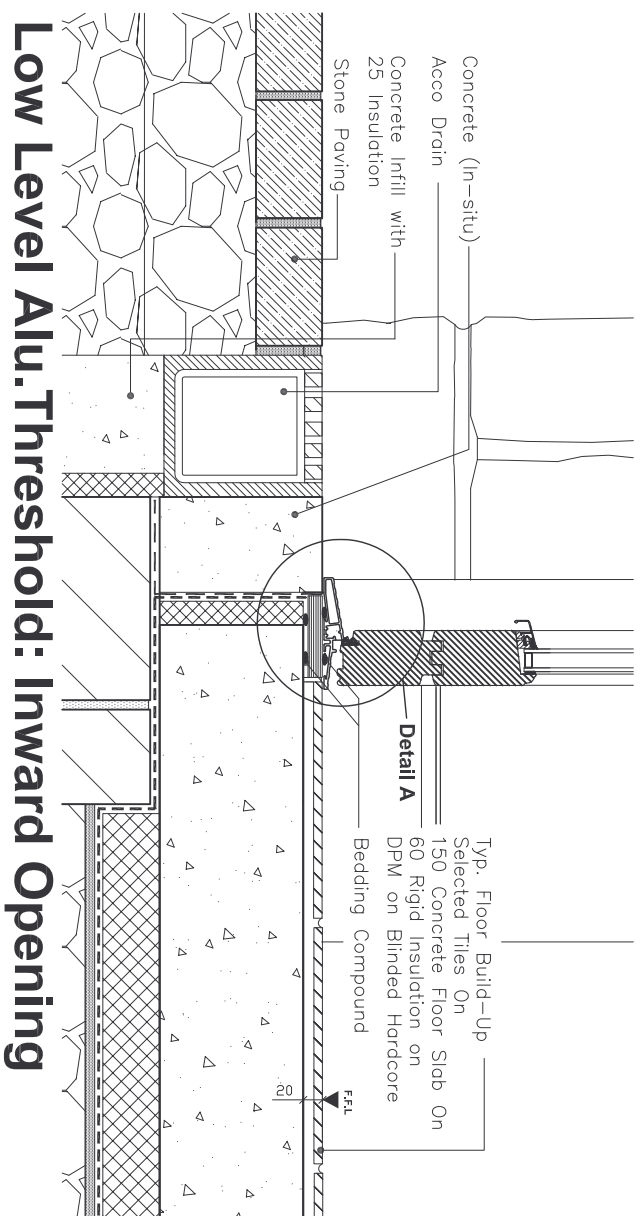
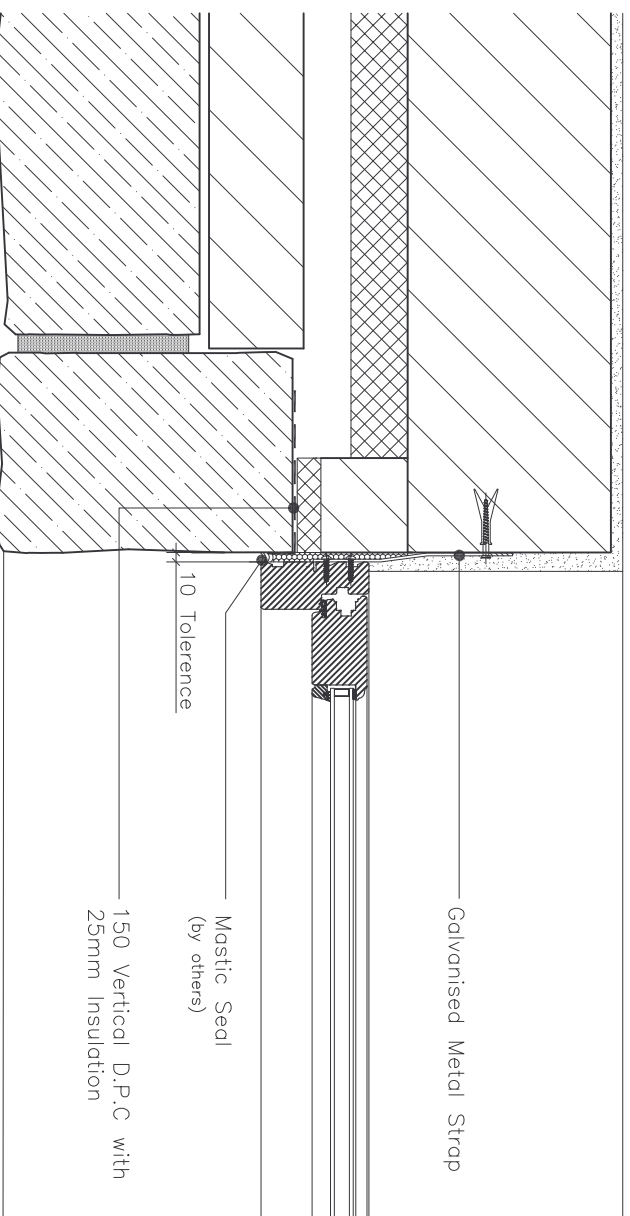


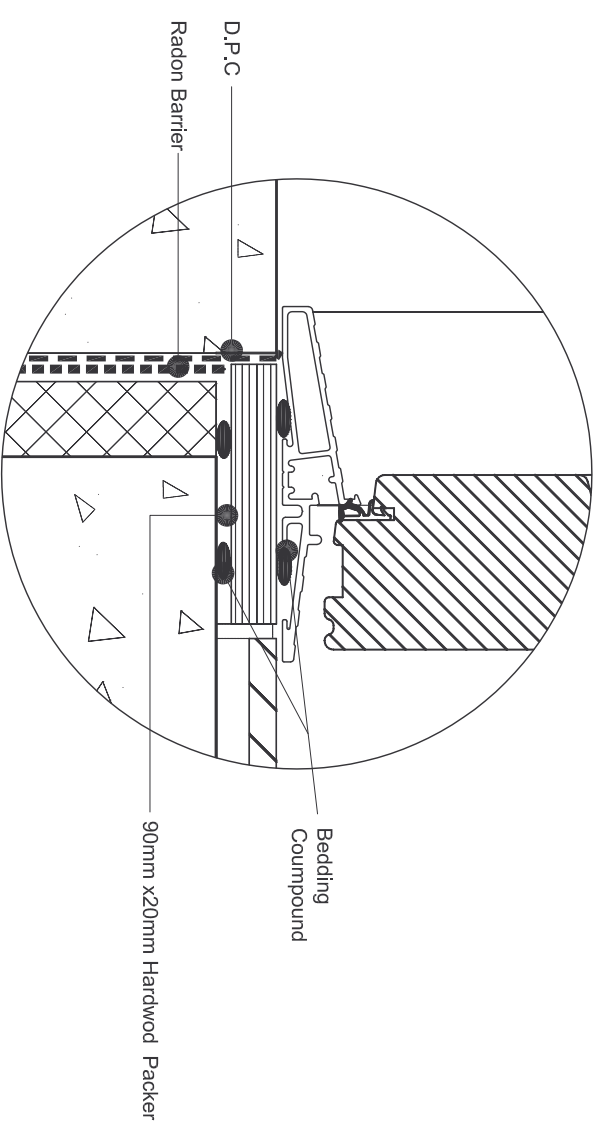
## Head Detail



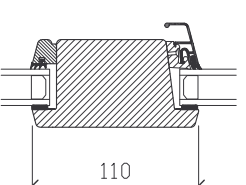
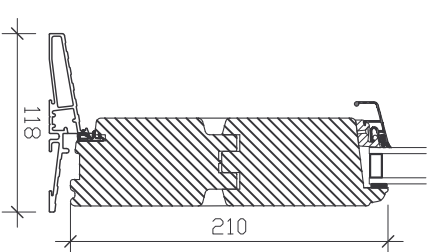
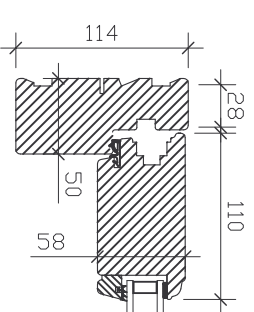
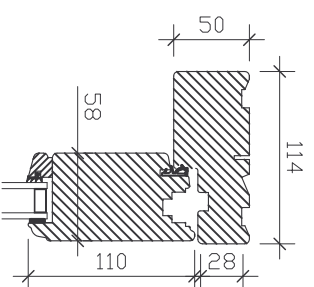
## Low Level Alu. Threshold: Inward Opening



## Jamb Detail



## Detail A:



## Profile Sections



**CARLSON**

G1, Calmount Park, Ballymount, D12  
 TEL: 00 353 1 462 5777 FAX: 00 353 1 462 5737  
 WEB: www.carlson.ie EMAIL: info@carlson.ie

DETAIL 146: TRAD.STONE CLADDING