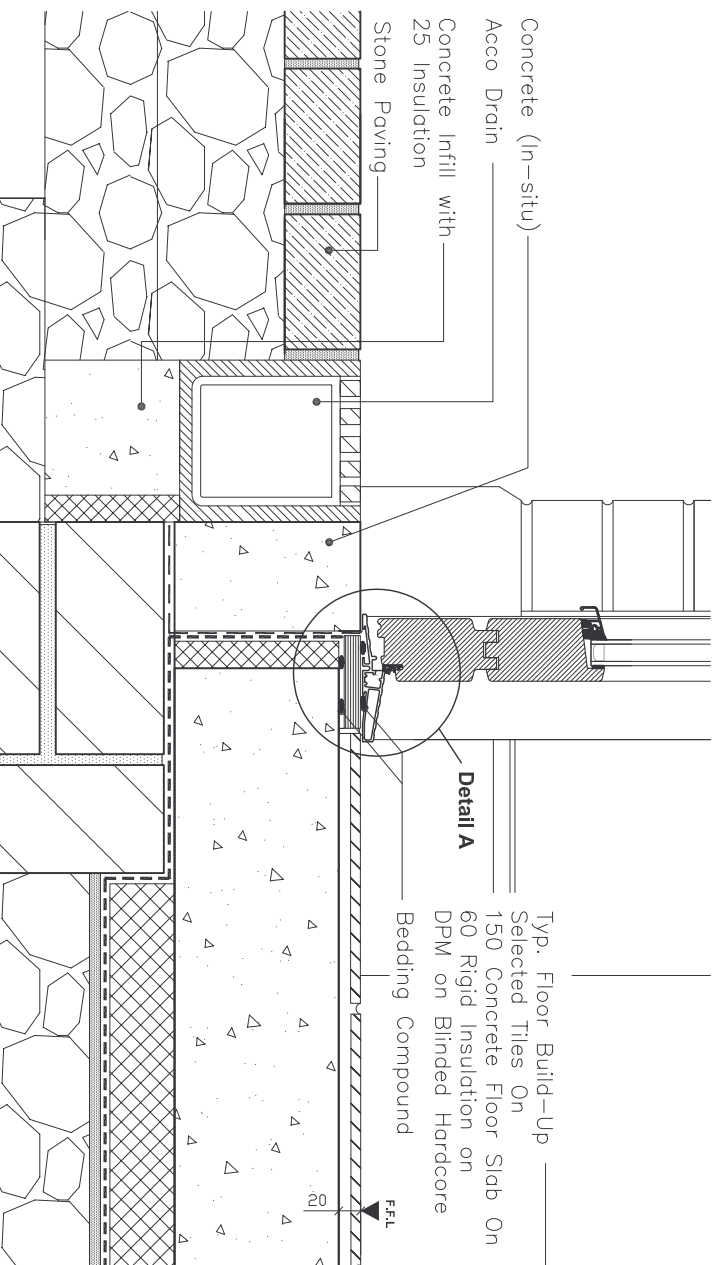
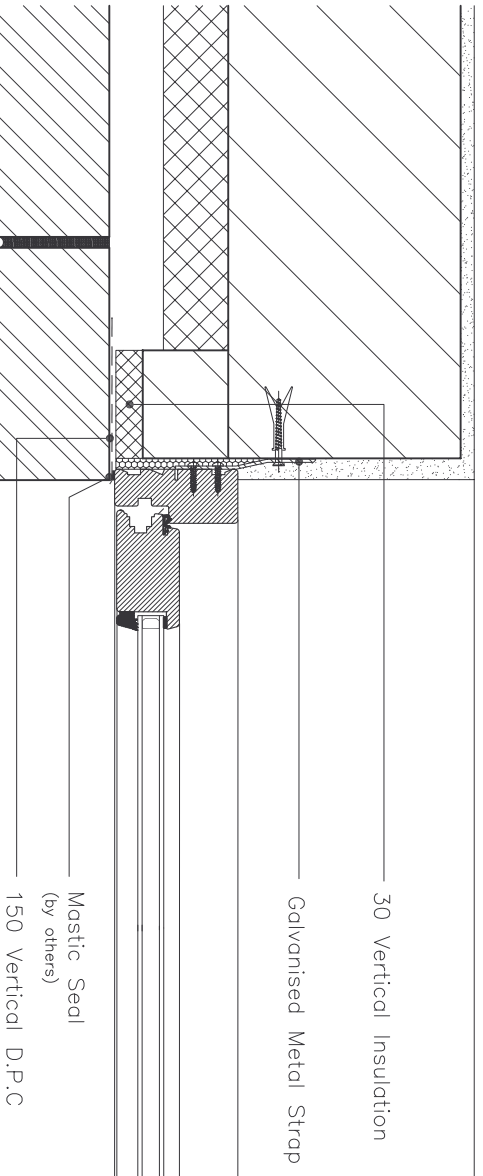


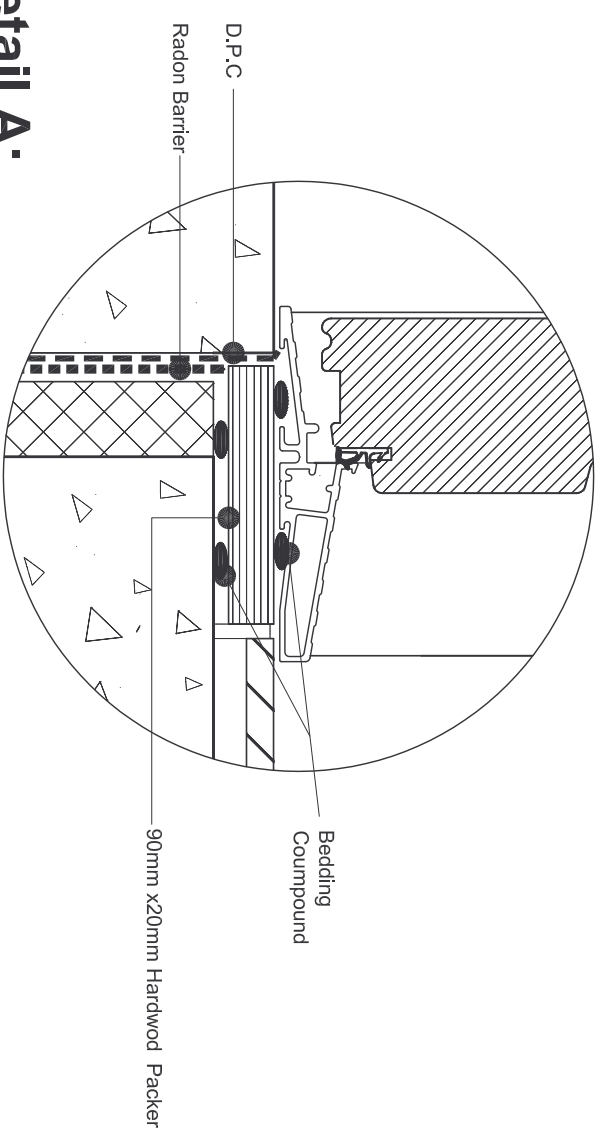
Head Detail



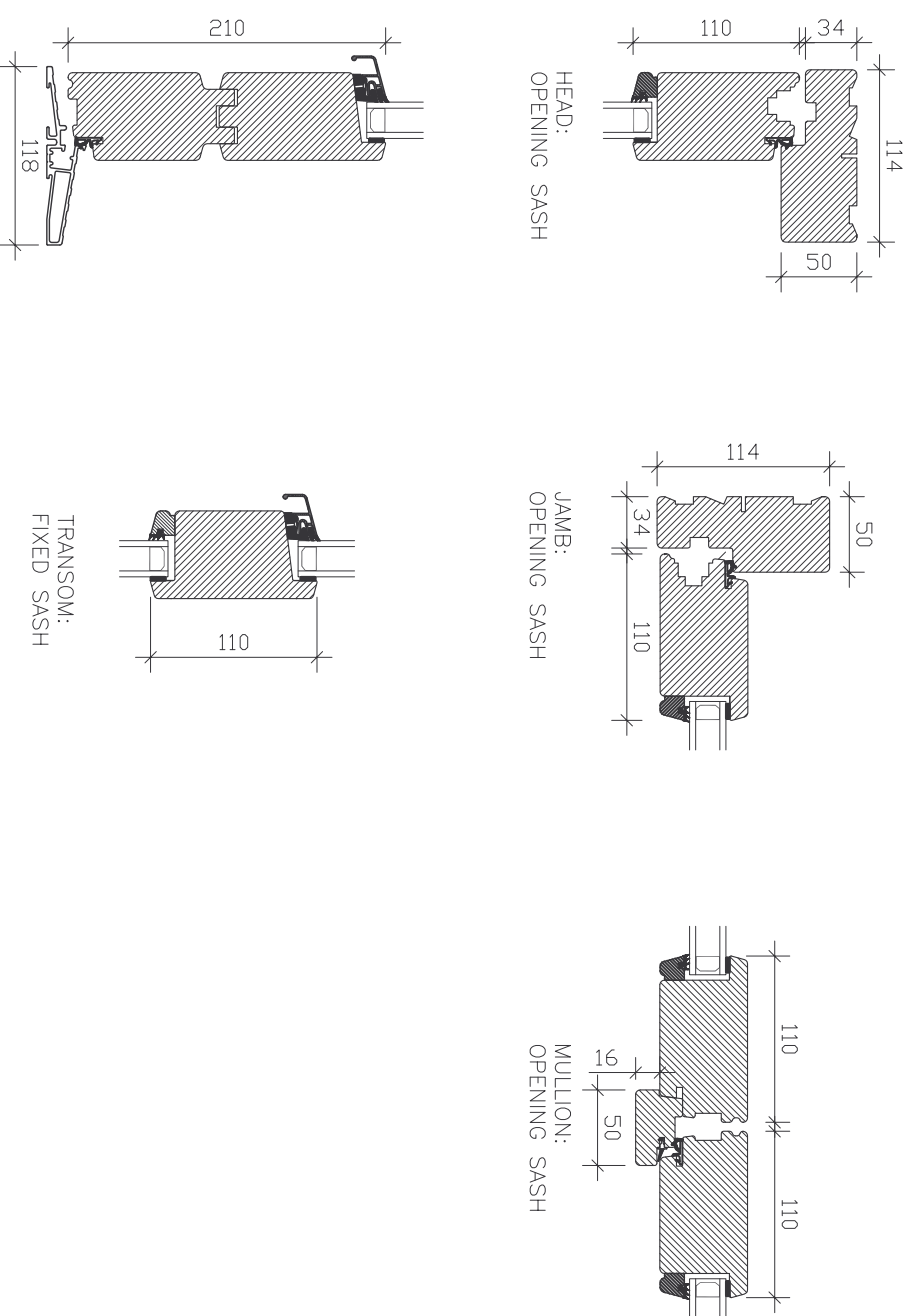
Low Level Alu. Threshold : Outward Opening



Jamb Detail



Detail A:



Profile Sections



G1, Calmount Park, Ballymount, D12
 TEL: 00 353 1 462 5777 FAX: 00 353 1 462 5737
 WEB: www.carlson.ie EMAIL: info@carlson.ie

DETAIL 151: CAVITY WALL BRICKWORK