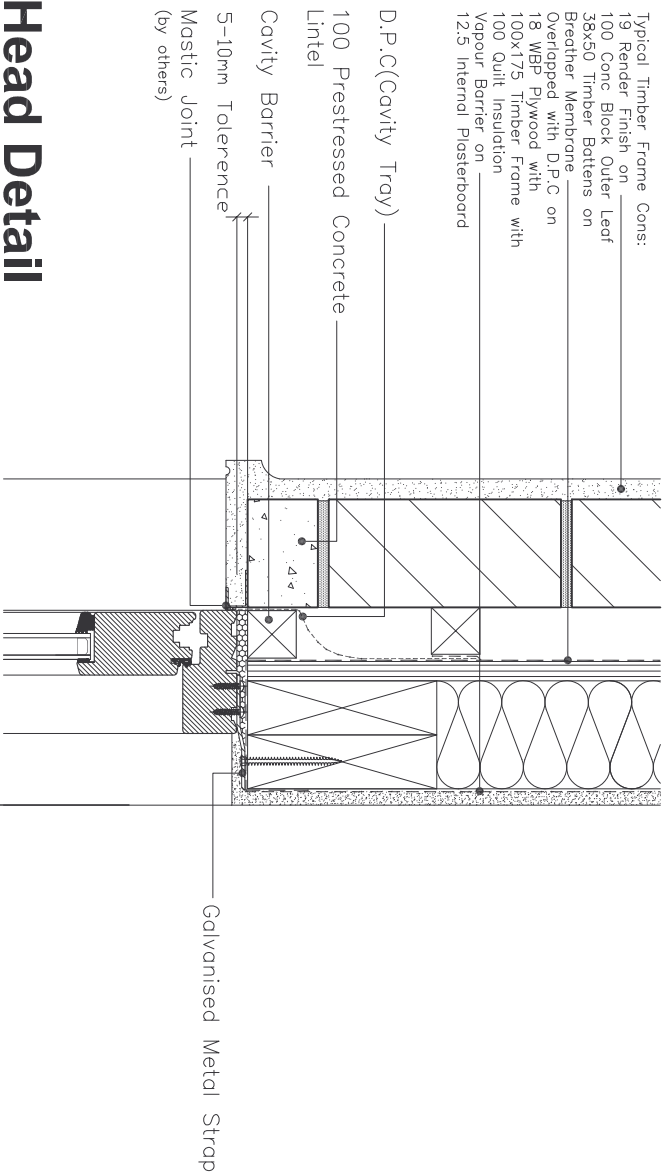
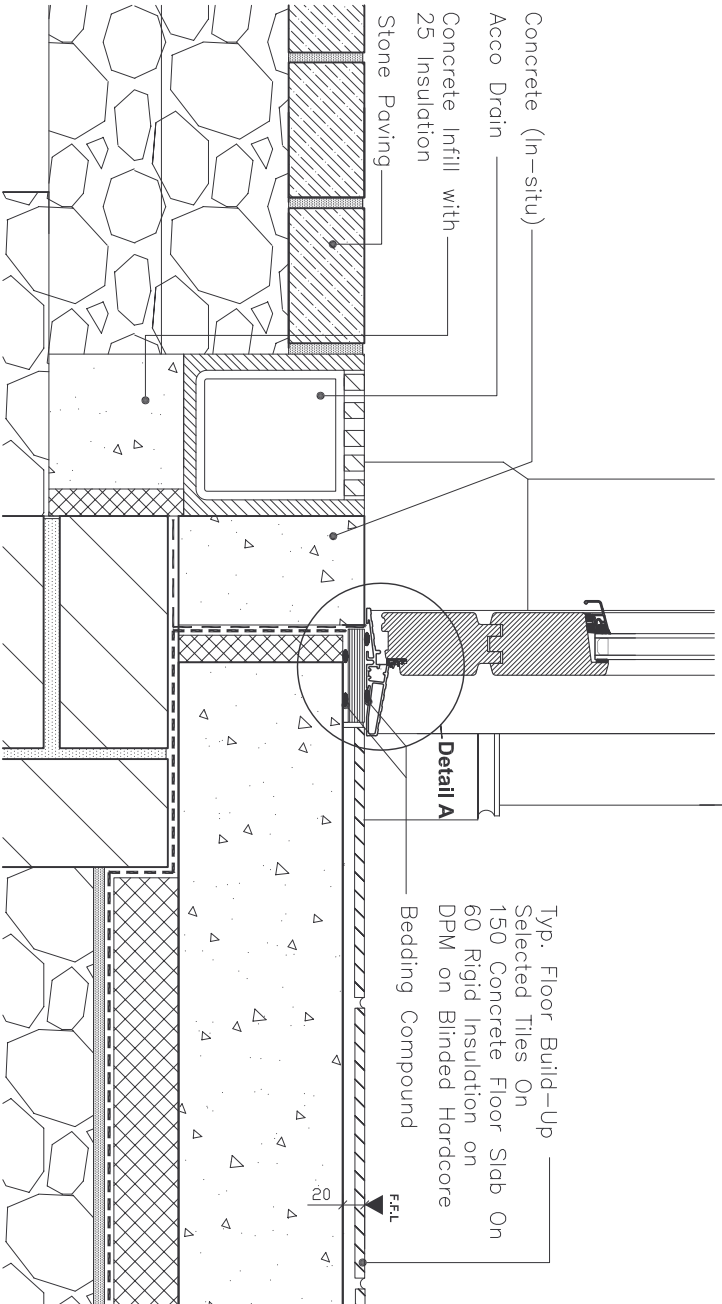


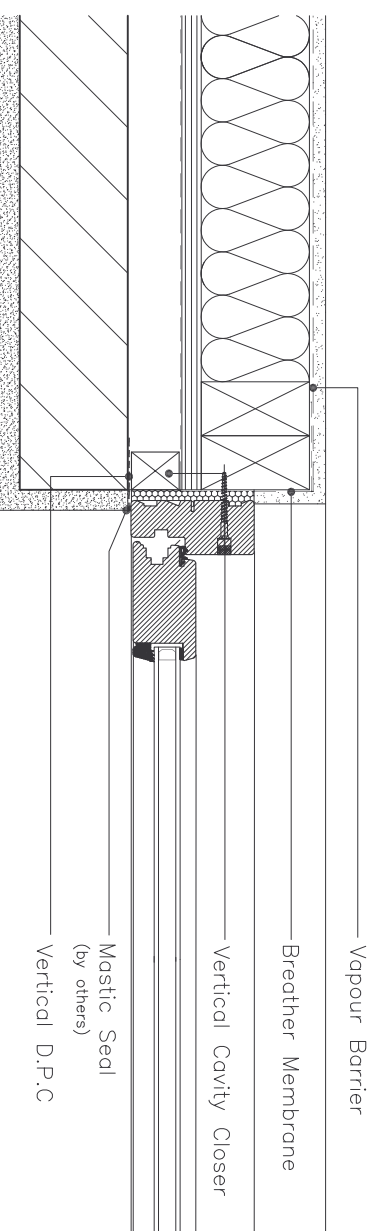
Typical Timber Frame Cons:
 19 Render Finish on
 100 Conc Block Outer Leaf
 38x50 Timber Battens on
 Breather Membrane
 Overlapped with D.P.C on
 18 WBP Plywood with
 100x175 Timber Frame with
 100 Quilt Insulation
 Vapour Barrier on
 12.5 Internal Plasterboard



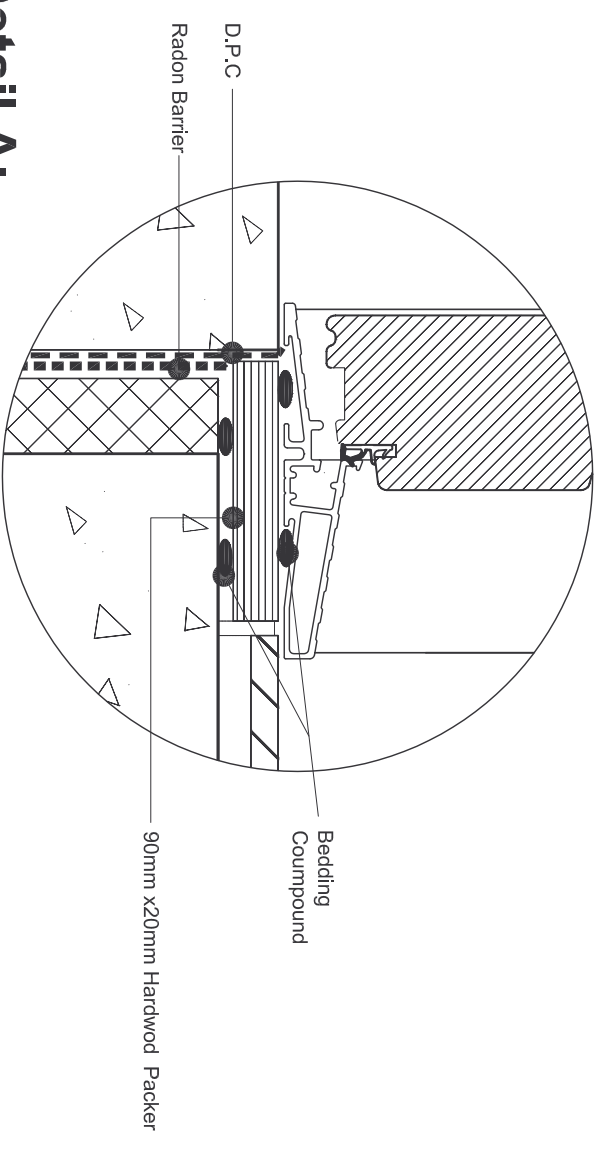
Head Detail



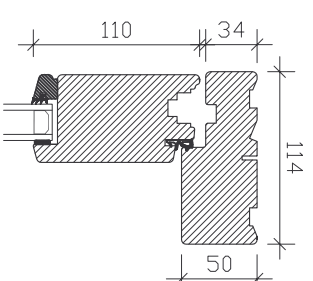
Low Level Alu. Threshold: Outward Opening



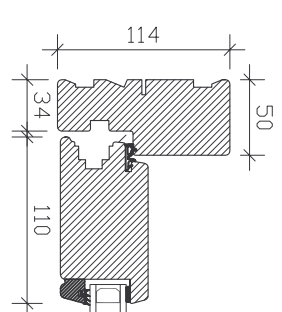
Jamb Detail



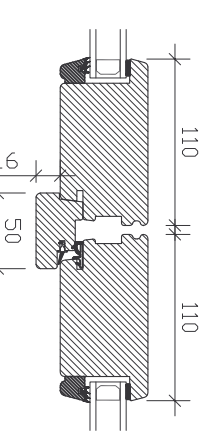
Detail A:



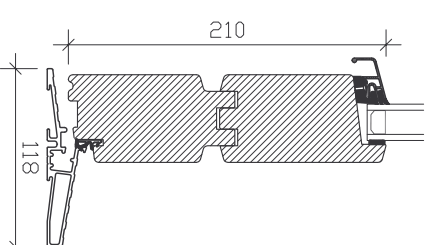
HEAD:
OPENING SASH



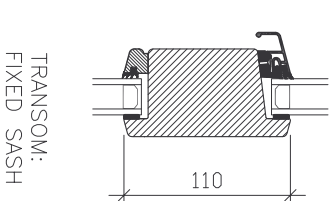
JAMB:
OPENING SASH



MULLION:
OPENING SASH



THRESHOLD:
LOW LEVEL ALU.
OPENING SASH



TRANSOM:
FIXED SASH

Profile Sections



G1, Calmount Park, Ballymount, D12
 TEL: 00 353 1 462 5777 FAX: 00 353 1 462 5737
 WEB: www.carlson.ie EMAIL: info@carlson.ie

DETAIL 154: TIMBER FRAME RENDER