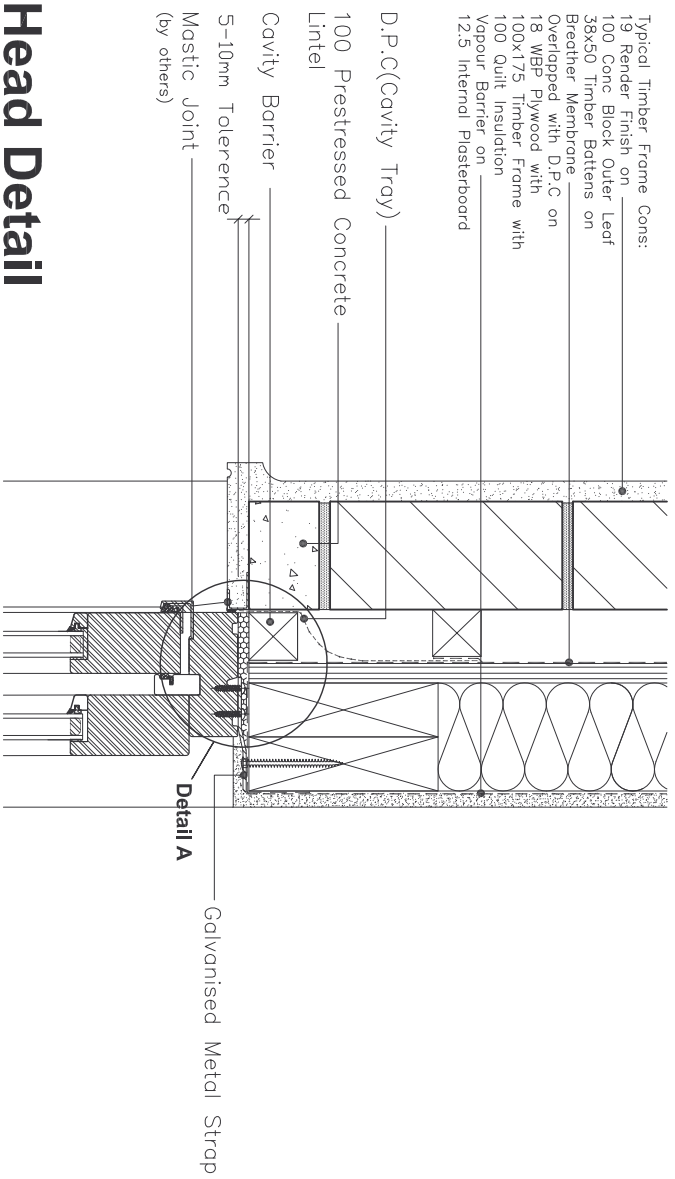
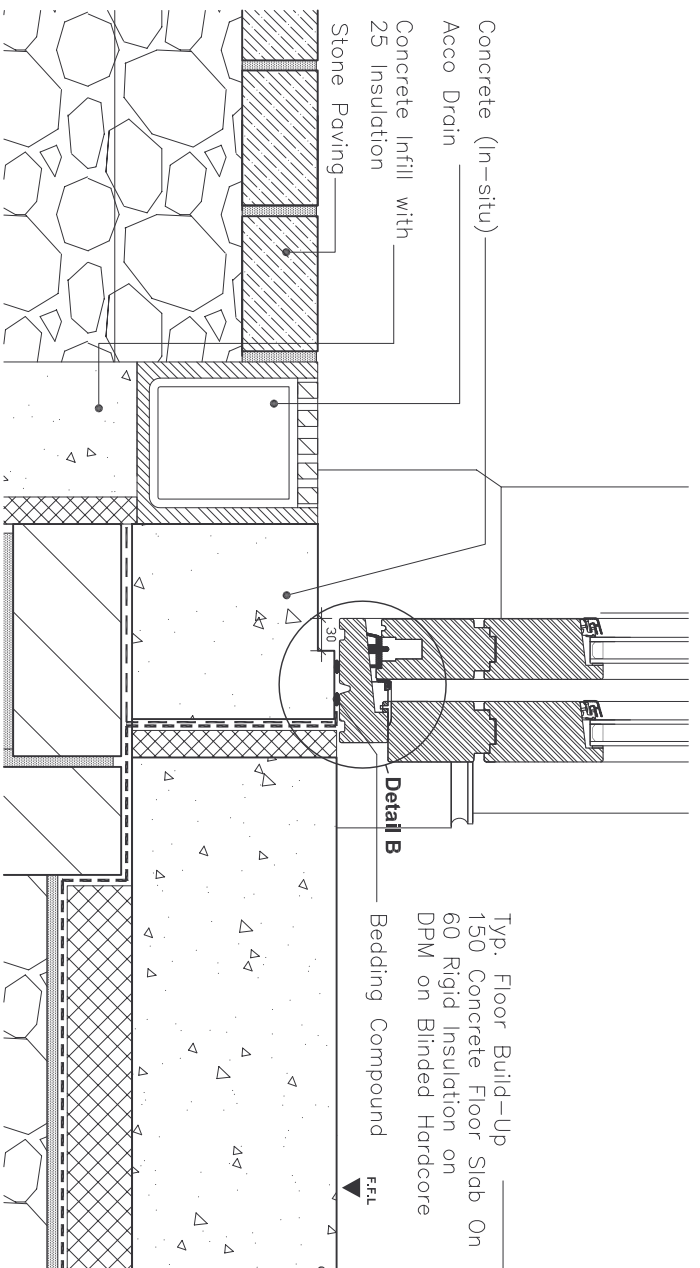


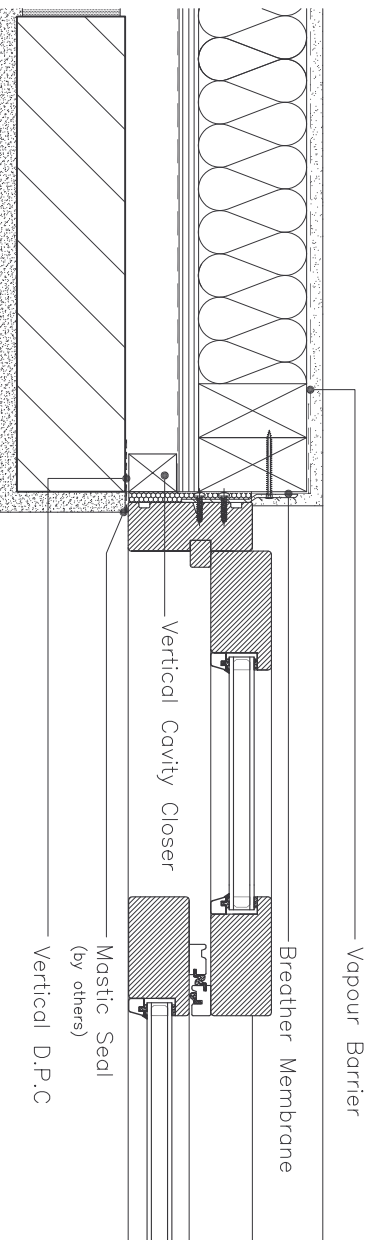
Typical Timber Frame Cons:
 19' Render Finish on
 100' Conc. Block Outer Leaf
 38x50 Timber Batters on
 Breather Membrane
 Overlapped with D.P.C. on
 18 WBP Plywood with
 100x175 Timber Frame with
 100 Quilt Insulation
 Vapour Barrier on
 12.5 Internal Plasterboard



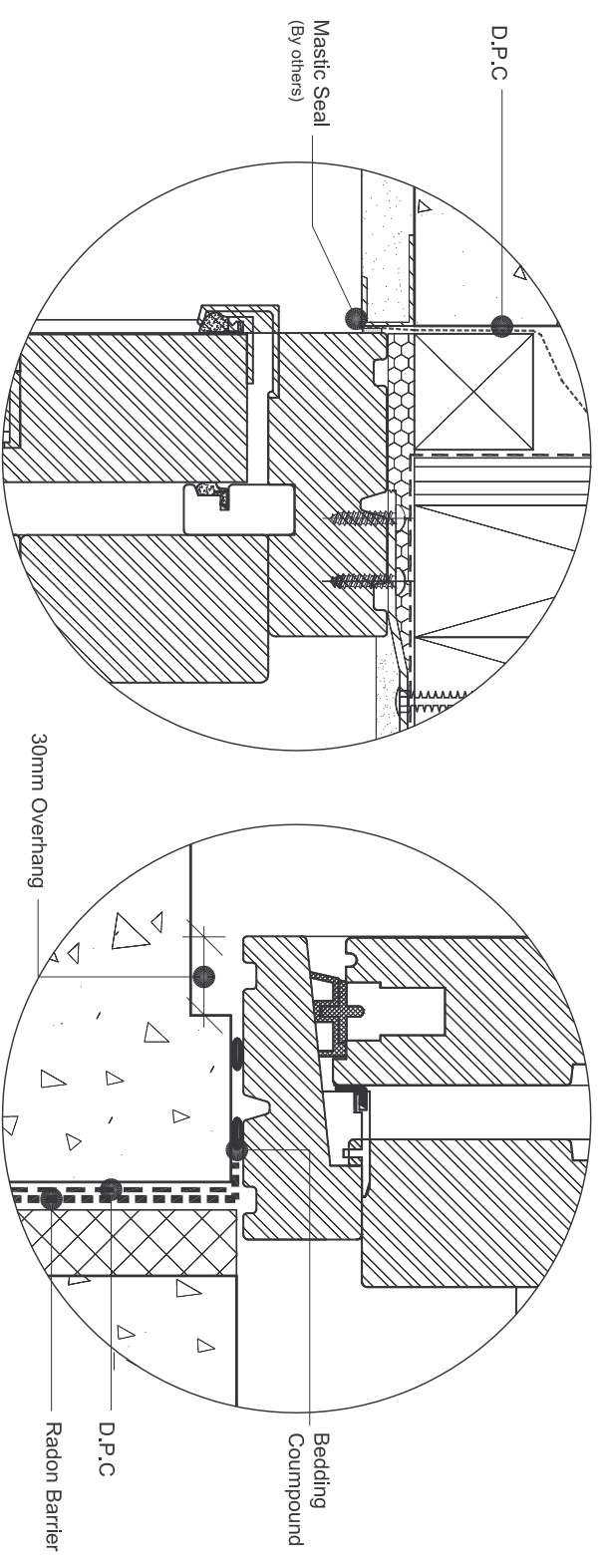
Head Detail



Hardwood Threshold Sliding Door

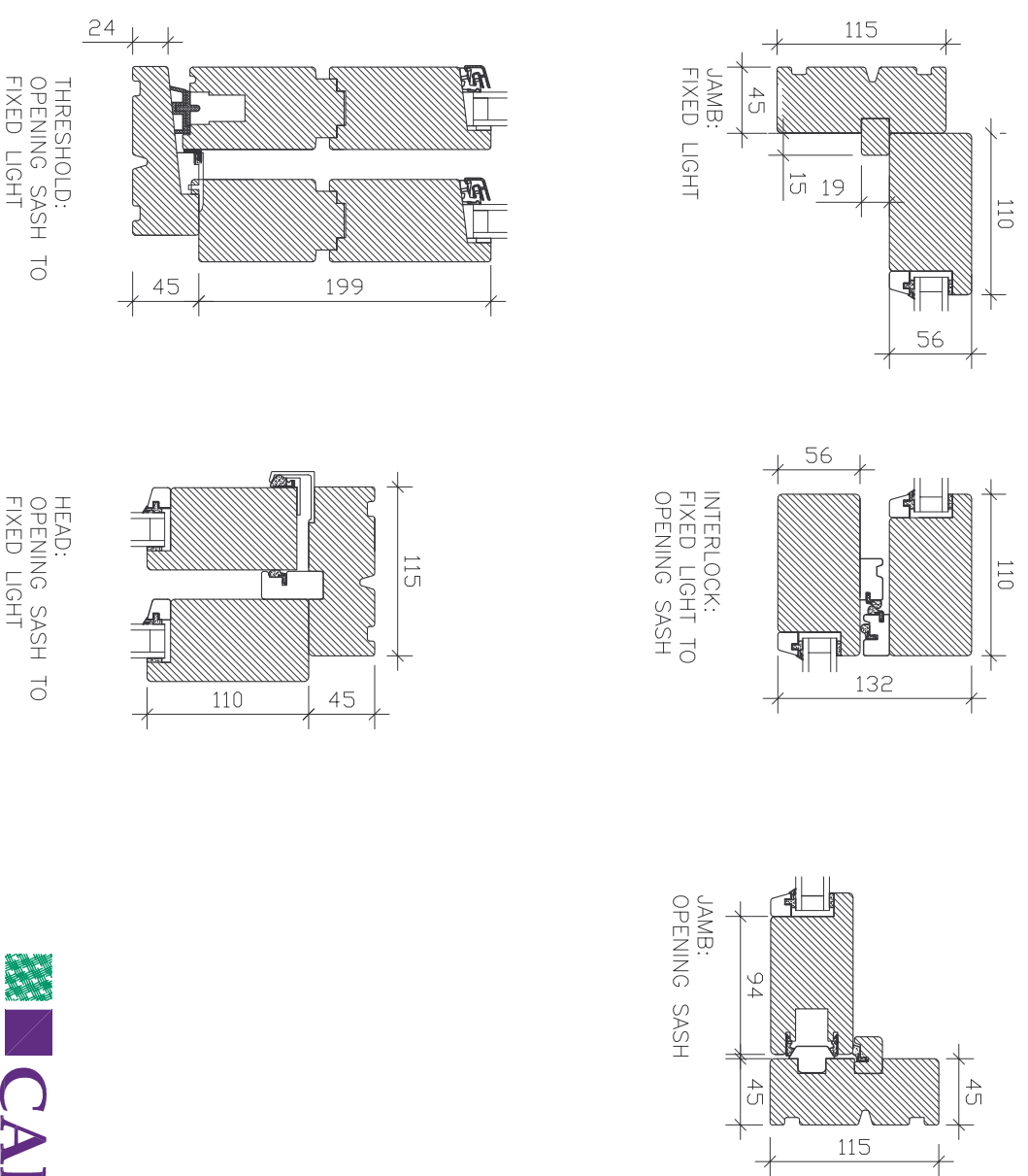


Jamb Detail



Detail A

Detail B



Profile Sections



CARLSON

G1, Calmount Park, Ballymount, D12
 TEL: 00 353 1 462 5777 FAX: 00 353 1 462 5737
 WEB: www.carlson.ie EMAIL: info@carlson.ie

DETAIL 164: TIMBER FRAME RENDER