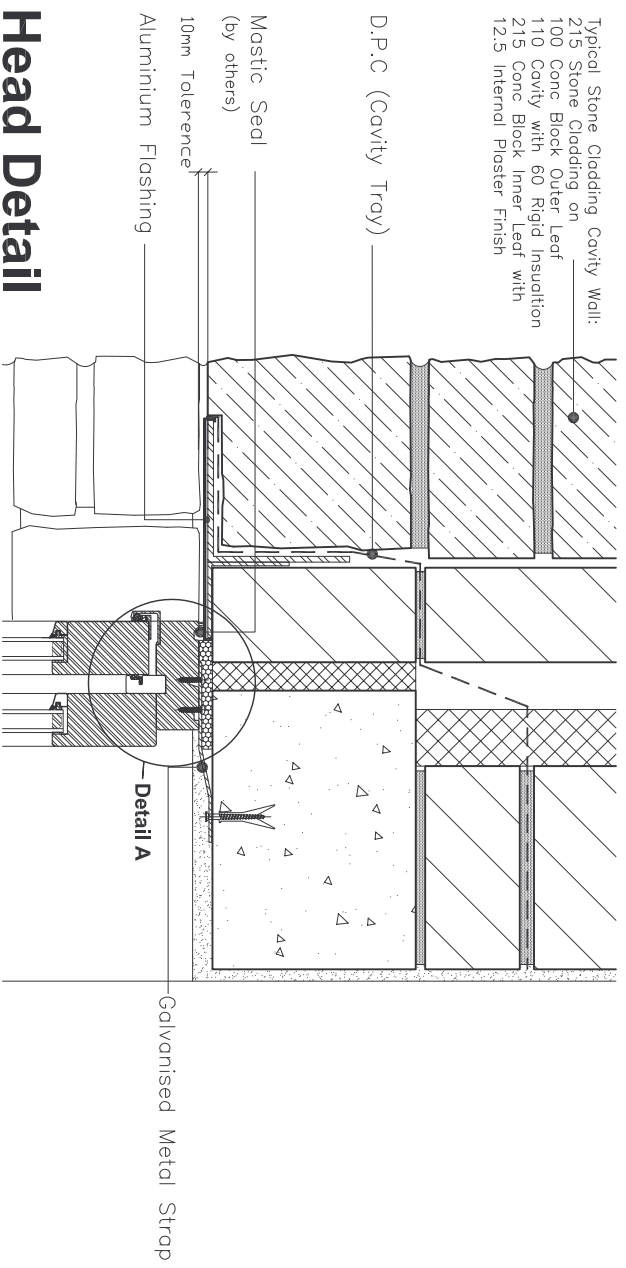
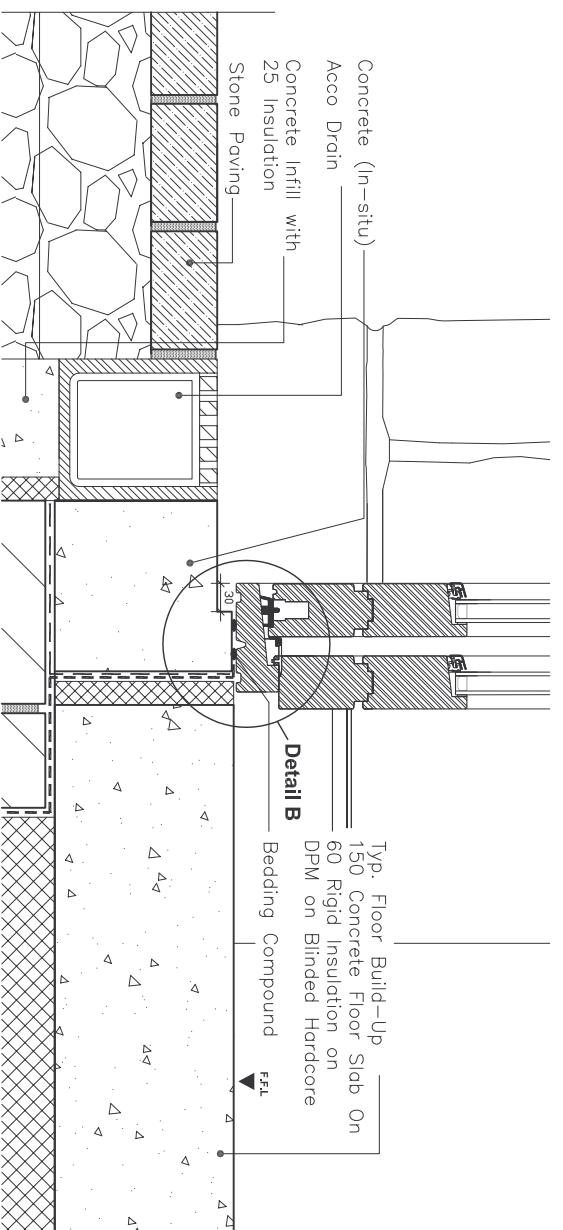


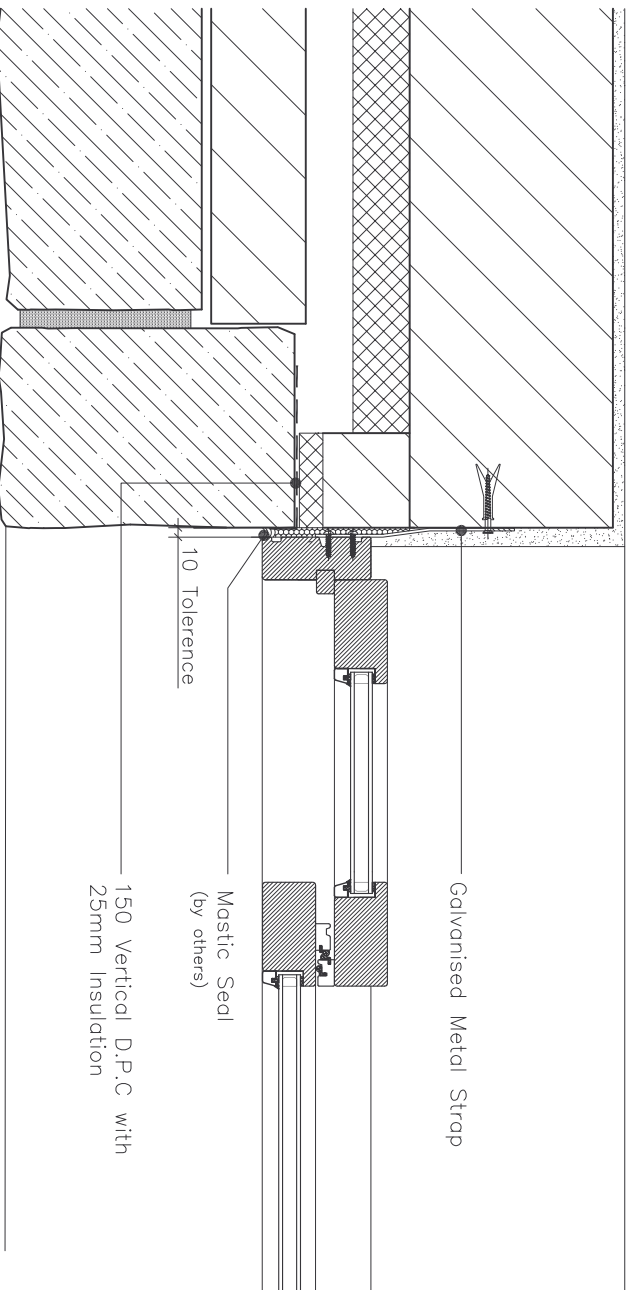
Typical Stone Cladding Cavity Wall:
 215 Stone Cladding on
 100 Cone Block Outer Leaf
 110 Cavity with 60 Rigid Insulation
 215 Cone Block Inner Leaf with
 12.5 Internal Plaster Finish



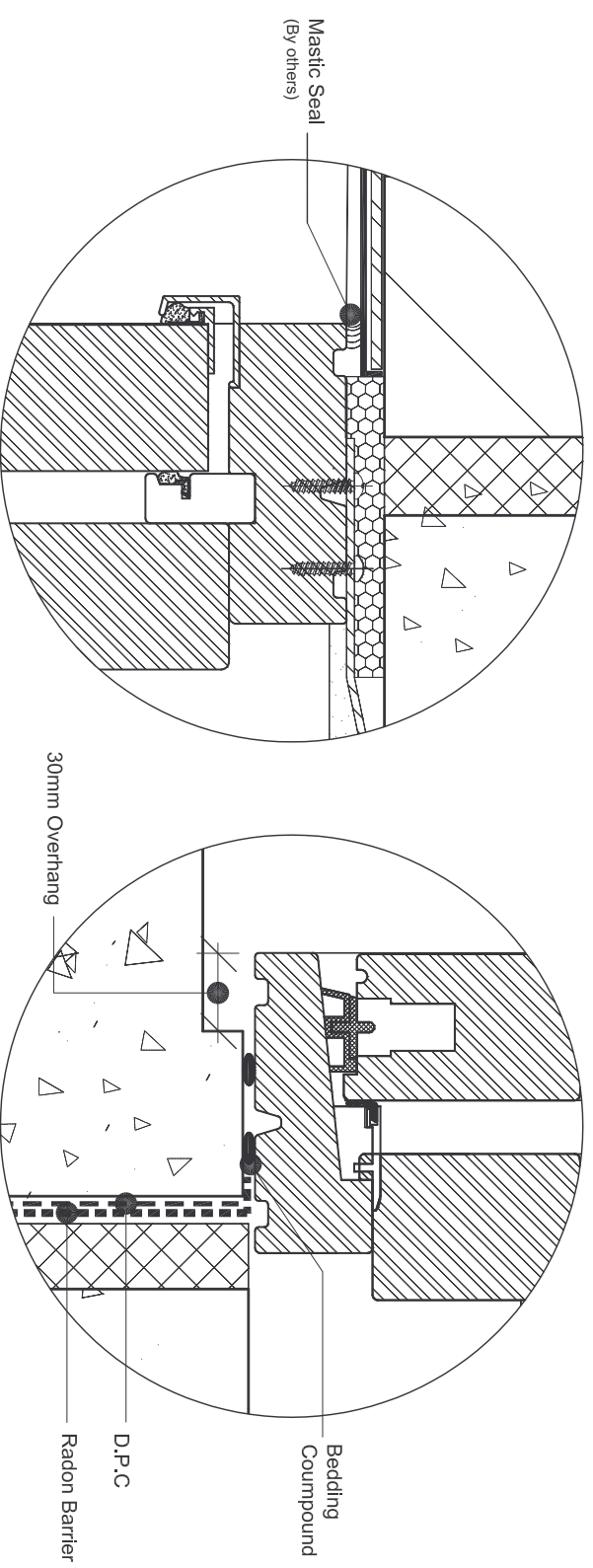
Head Detail



Hardwood Threshold Sliding Door

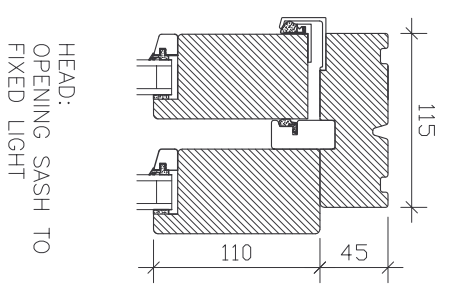
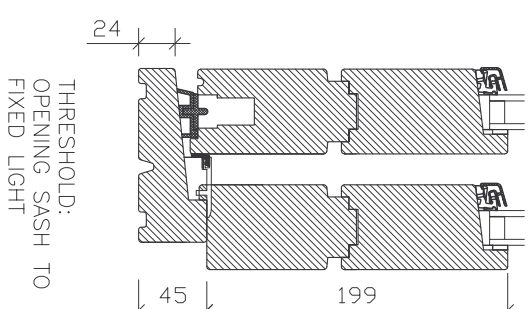
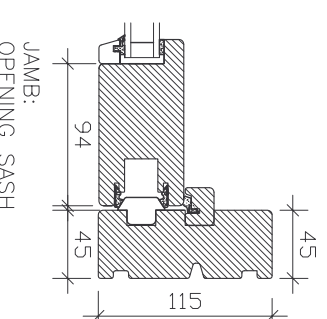
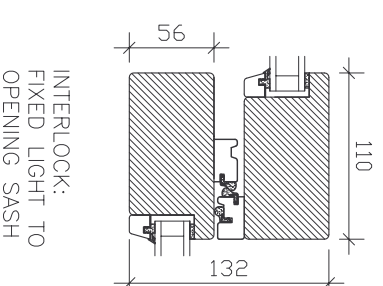
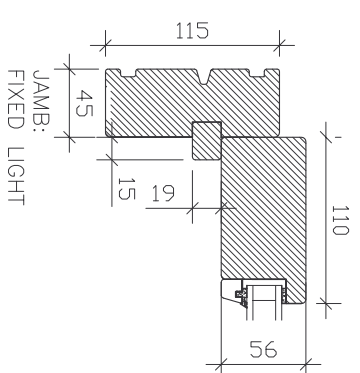


Jamb Detail



Detail A

Detail B



Profile Sections