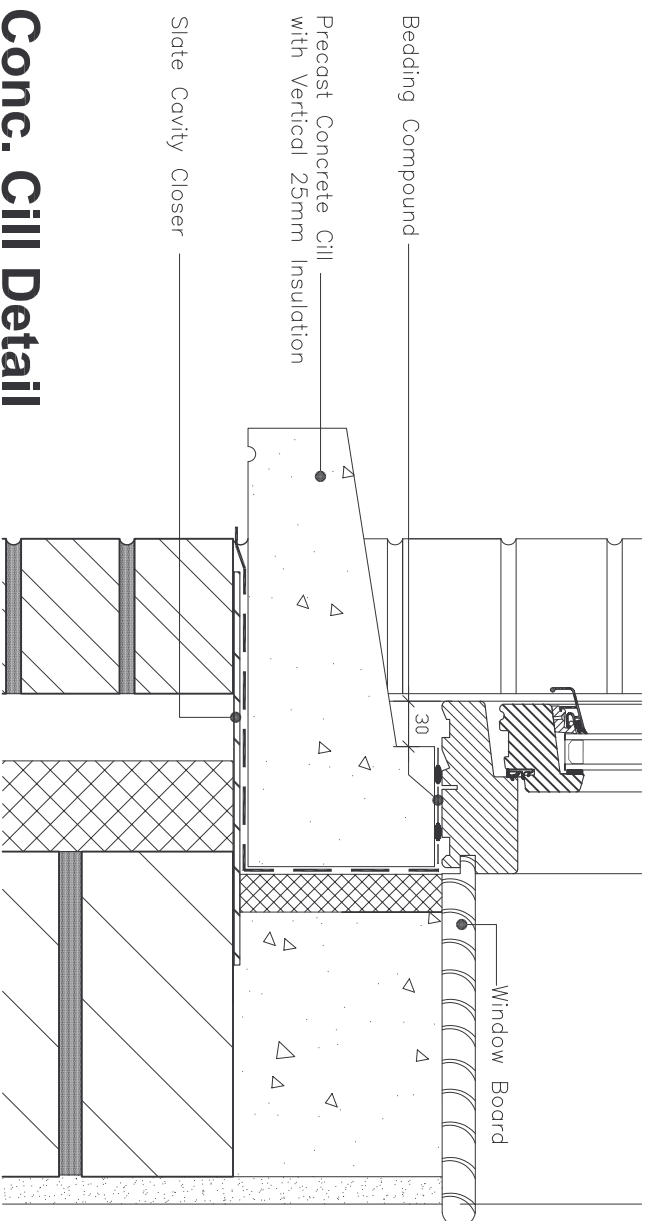
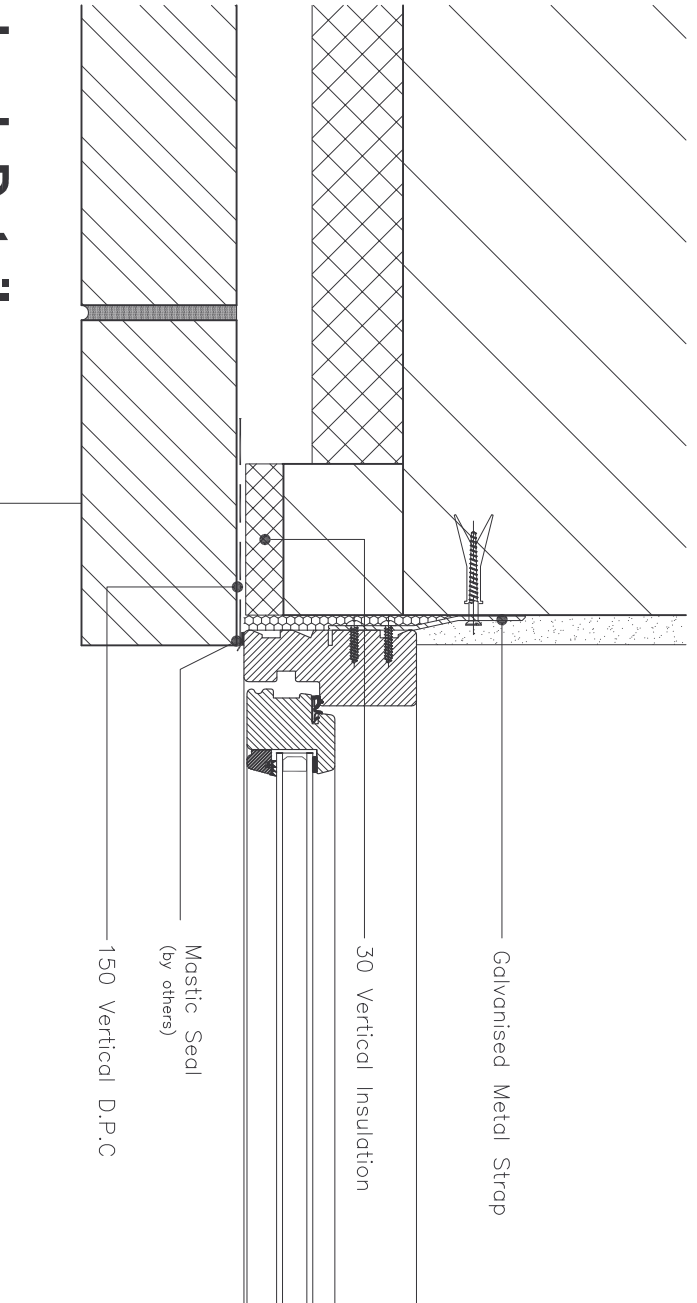


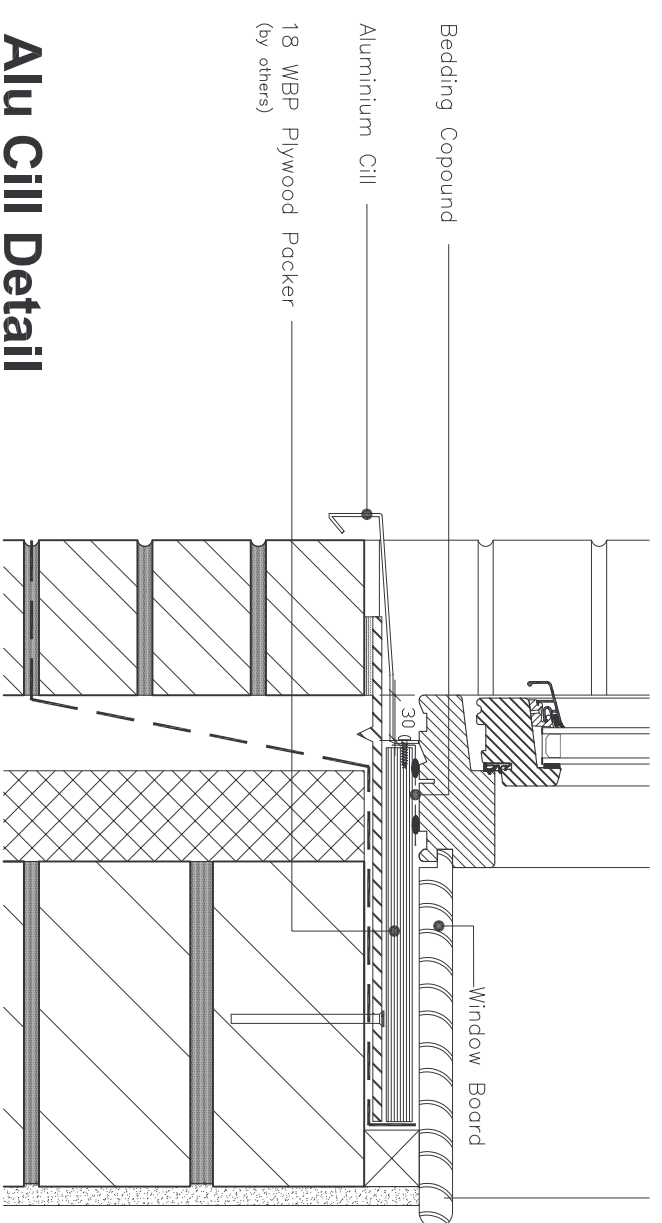
Head Detail



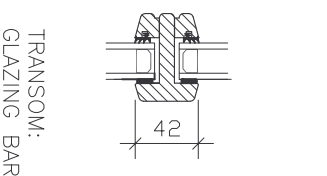
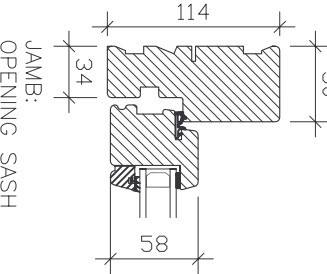
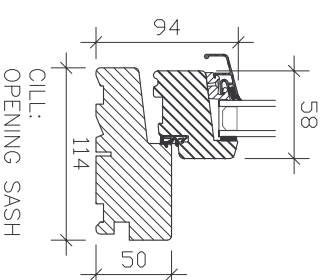
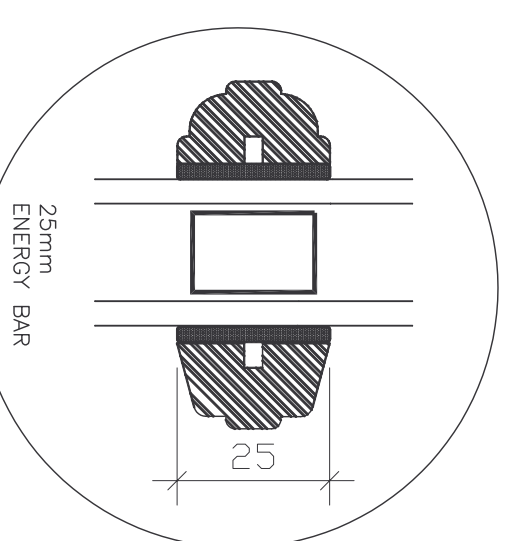
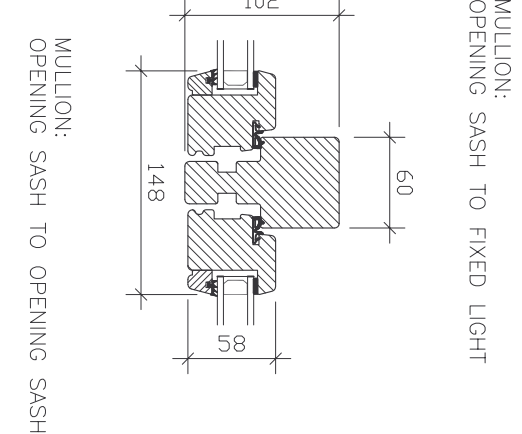
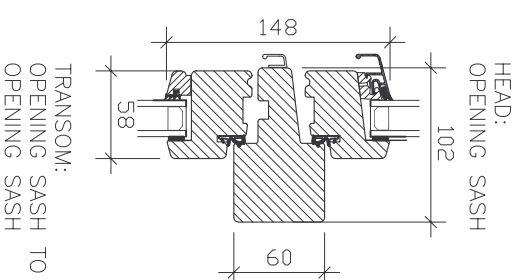
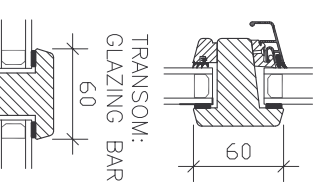
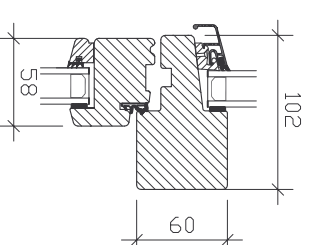
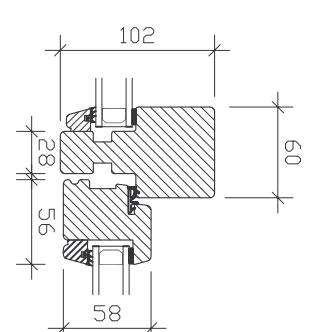
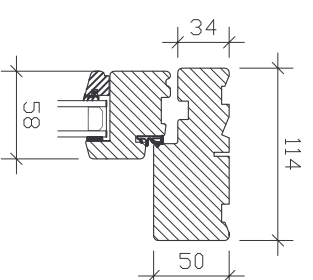
Conc. Cill Detail



Jamb Detail



Alu Cill Detail



Profile Sections

31, Calmount Park, Ballymount, D12
 TEL: 00 353 1 462 5777 FAX: 00 353 1 462 5737
 WEB: www.carlson.ie EMAIL: info@carlson.ie

DETAIL 101: CAVITY WALL BRICKWORK