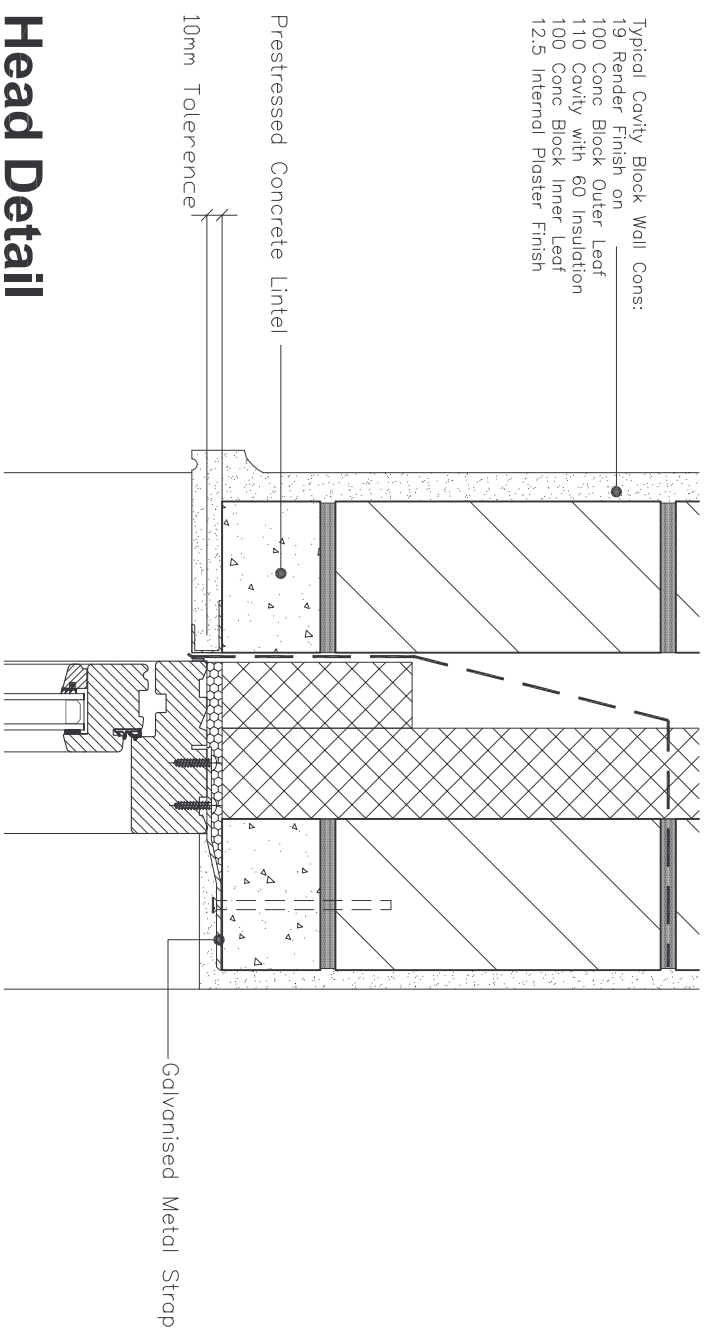
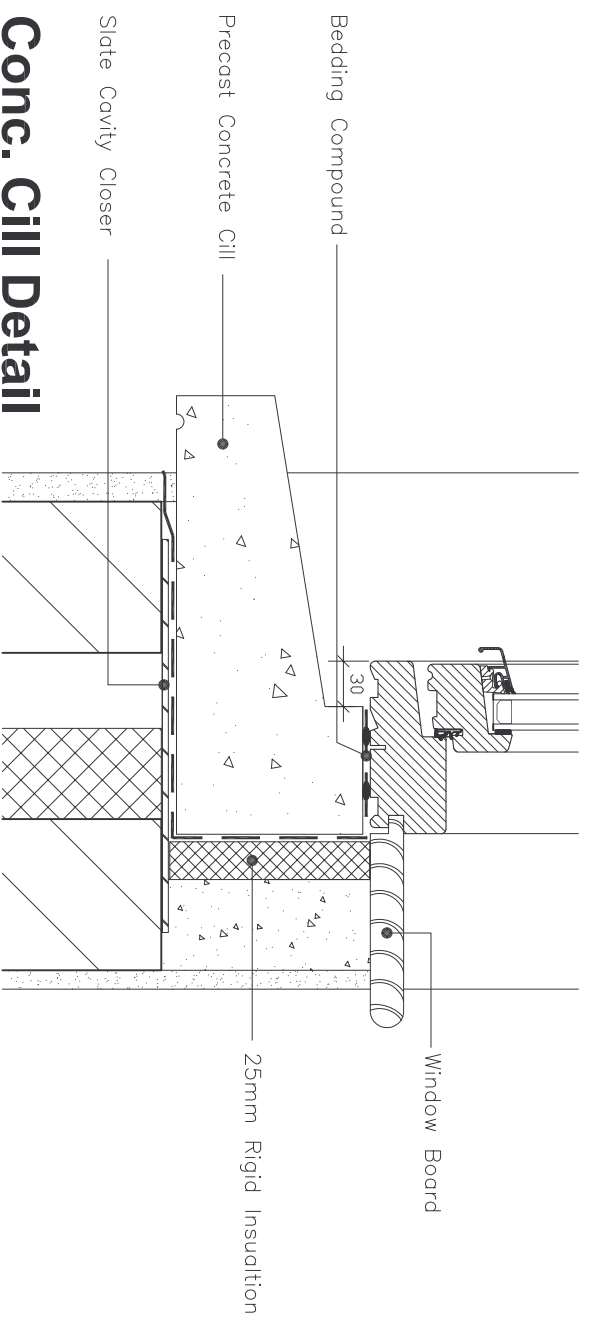


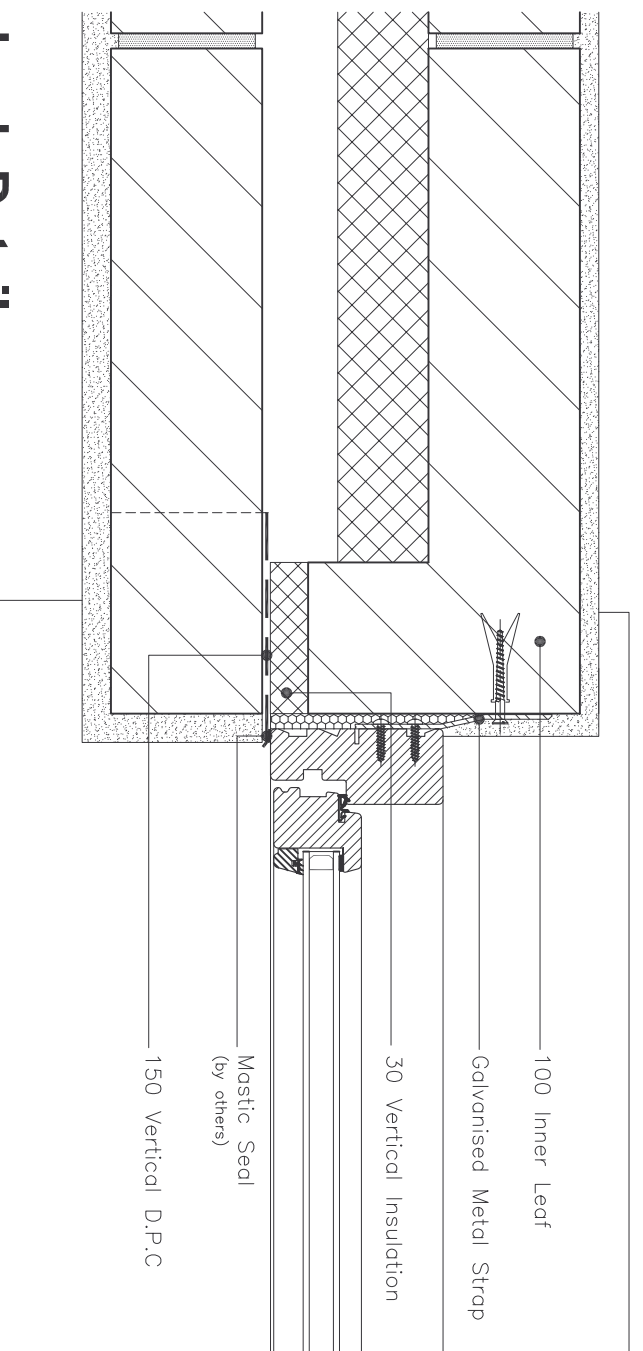
Typical Cavity Block Wall Cons:
 19 Render Finish on
 100 Conc Block Outer Leaf
 110 Cavity with 60 Insulation
 100 Conc Block Inner Leaf
 12.5 Internal Plaster Finish



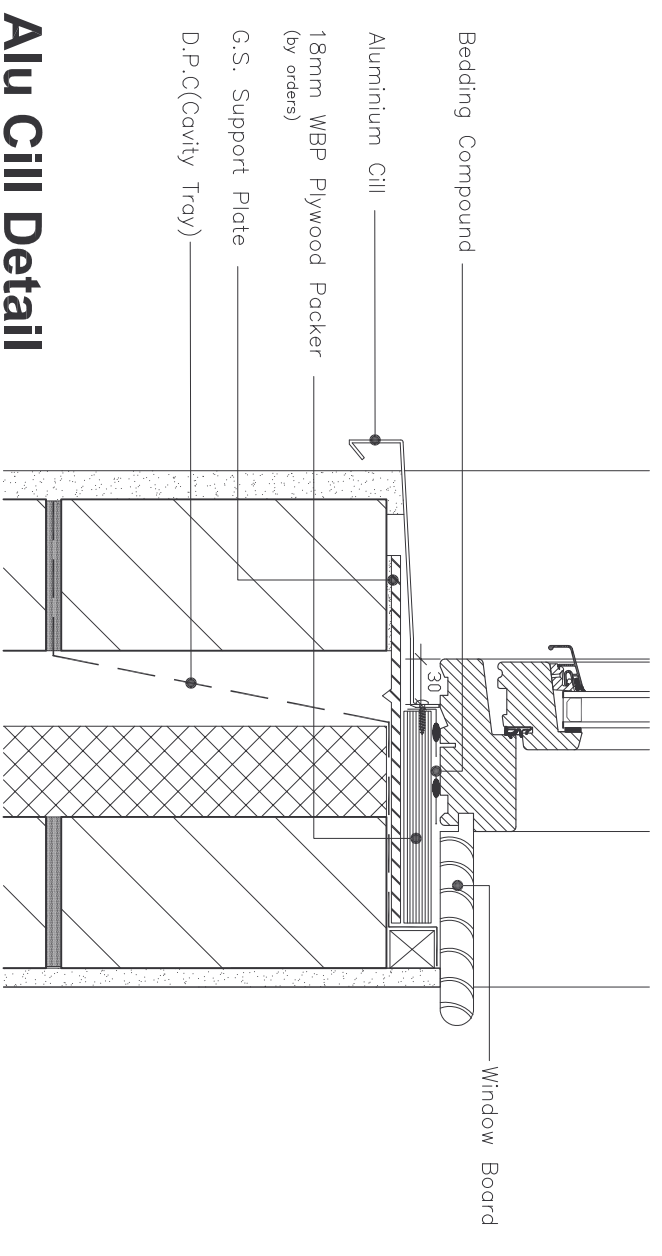
Head Detail



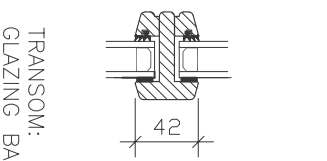
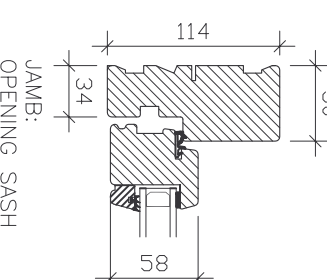
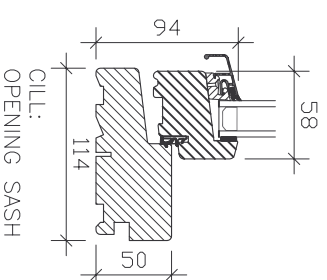
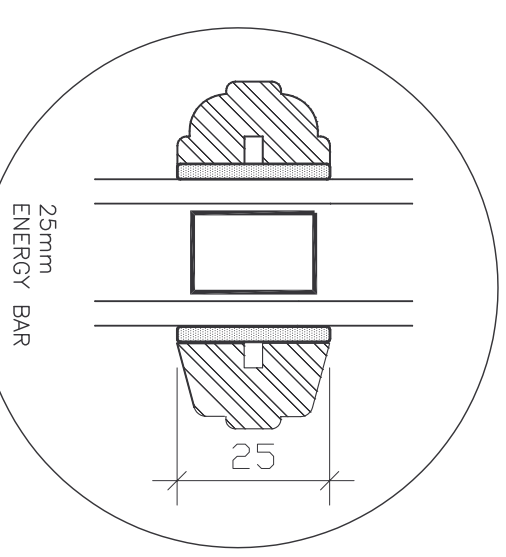
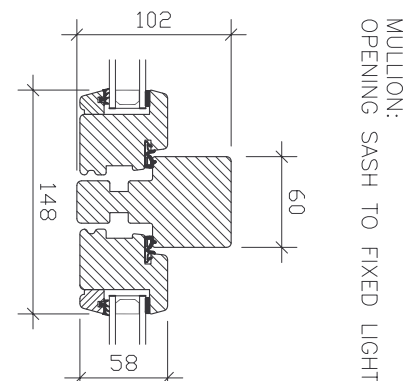
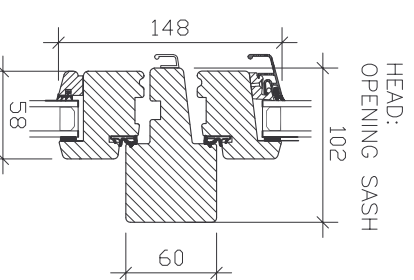
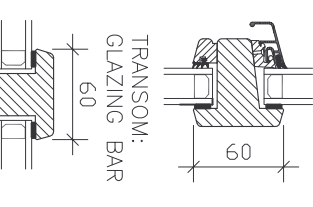
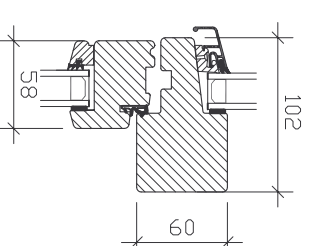
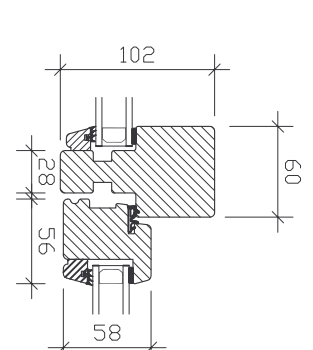
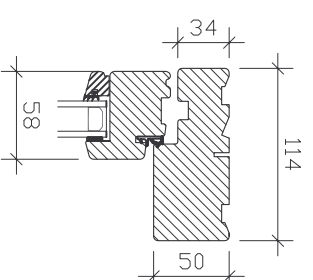
Conc. Cill Detail



Jamb Detail



Alu Cill Detail



Profile Sections



CARLSON

31, Calmount Park, Ballymount, D12
 TEL: 00 353 1 462 5777
 WEB: www.carlson.ie
 FAX: 00 353 1 462 5737
 EMAIL: jlr@carlson.ie

DETAIL 102: CAVITY WALL RENDER